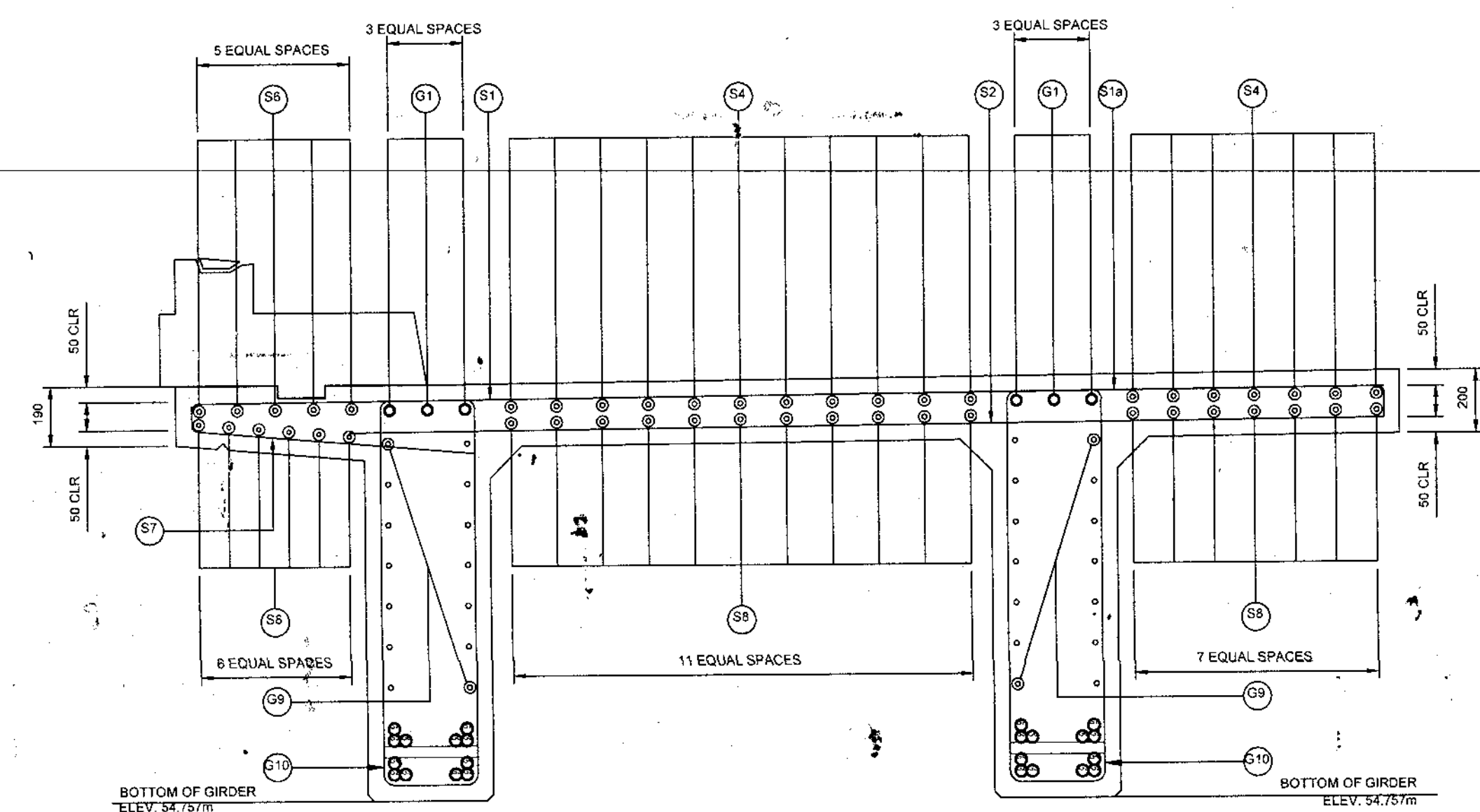


3 CROSS SECTION
DN/TS



4 TRANSVERSE SECTION
DN/TS

TUNA, ABRAHAM JR. T
SEAO 17-010914-A

RPC XI
NO OBJECTION

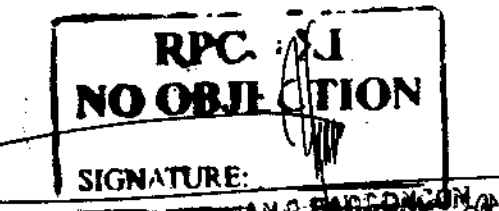
SIGNATURE: [Signature]
M. R. ADARDO, JR.
PROVINCIAL ENGINEER

	REPUBLIC OF THE PHILIPPINES DEPARTMENT OF AGRICULTURE "PHILIPPINE RURAL DEVELOPMENT PROJECT SCALE UP" PROVINCE OF DAVAO DE ORO MUNICIPALITY OF MONTEVISTA & NABUNTURAN	PROJECT NO.: PRDP-SU-IB-R011-DDO-004-000-000-2023-FMB	PREPARED BY:	DESIGNED BY:	CHECKED & REVIEWED BY:	RECOMMENDING APPROVAL:	APPROVED:	SHEET CONTENTS:	SHEET NO.
		SUBPROJECT TITLE: REHABILITATION OF NEW VISAYAS - BANAGBANAG, MONTEVISTA TO MAGADING, NABUNTURAN ROAD WITH EXPANSION OF EXISTING BRIDGE	EDWIN S. SALUDES PLANNING & DESIGN DIVISION CHIEF	RONNIE S. APARRI ENGINEER II	RODERICK M. DIGAMON PROVINCIAL ENGINEER	ALICIA M. GRACIADAS CO-PPMIU	DOROTHY P. MONTEJO-GONZAGA GOVERNOR	AS STATED	35
		LOCATION: MONTEVISTA AND NABUNTURAN, DAVAO DE ORO							78

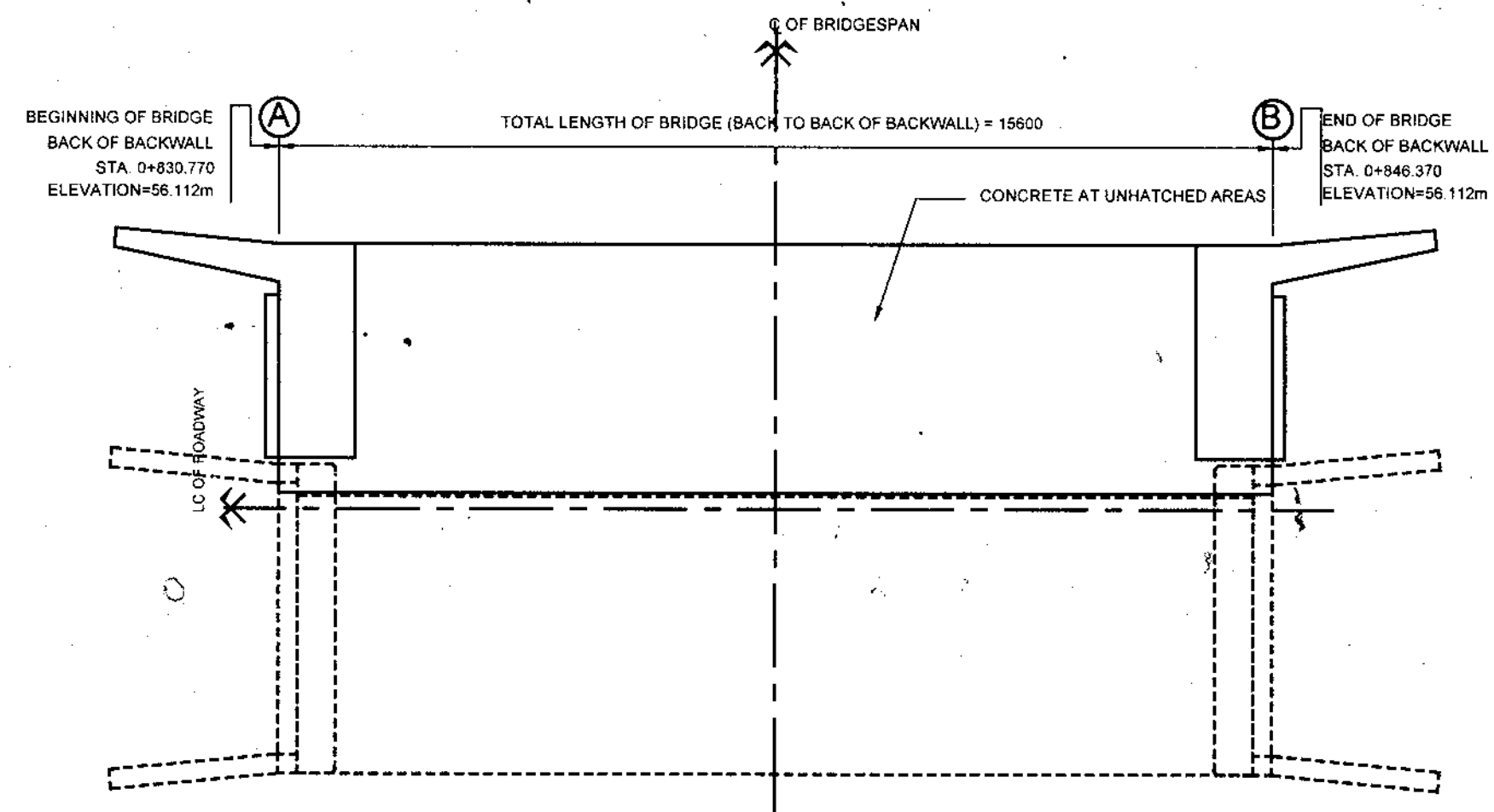
REINFORCEMENT SCHEDULE AND ESTIMATED QUANTITIES FOR SUPERSTRUCTURE OF 30M SPAN

BAR BENDING DIAGRAM	STRUCTURE COMPONENT	CONCRETE VOLUME (m ³)	LOCATION	MARK	SIZE (mm Ø)	QTY.	SPACING (mm)	SHAPE	REINFORCEMENT BAR DIMENSIONS (mm)						LENGTH PER BAR (m)	TOTAL LAP LENGTH (m)	TOTAL (L) PER BAR (m)	TOTAL LENGTH (m)	UNIT WEIGHT (kgm)	TOTAL WEIGHT (kg)	REMARKS									
									a	b	c	d	e	f																
									<p>LAP LENGTH IS COMPUTED BASED ON 12M COMMERCIAL LENGTH OF RSB</p>																					
	SUPERSTRUCTURE	13.68	DECK SLAB	S1	16	111	120	⊙	80 AVE.	3,800	-	-	-	-	-	3,980 AVE	-	3.98	441.78	1.579	698									
				S1a	16	110	120	⊙	1,500	-	-	-	-	-	-	1,500	-	1.50	185.00	1.579	281									
				S2	16	111	120	⊙	3,300	-	-	-	-	-	-	3,300	-	3.30	366.30	1.579	578									
				S3	16	18	AS SHOWN	⊙	15,500	-	-	-	-	-	-	15,500	0.640	16.14	290.52	1.579	459									
				S4	16	18	AS SHOWN	⊙	1,800	15,500	-	-	-	-	-	19,100	0.640	19.74	355.32	1.579	561									
				S4a	16	4	129	⊙	1,138	-	-	-	-	-	-	1,138	-	1.14	4.55	1.579	7									
				S5	16	5	121	⊙	1,800	15,500	-	-	-	-	-	19,100	0.640	19.74	98.70	1.579	156									
				S8	16	56	240	⊙	80	900	-	-	-	-	-	0.980	-	0.98	54.88	1.579	87									
				S7	12	6	96	⊙	15,500	-	-	-	-	-	-	15,500	0.480	15.98	95.88	0.888	85									
				SUB-TOTAL																			2,892							
				GRADE 40																			2,892							
				GRADE 60																			-							
				0.35	DIAPHRAGM	0.35	D1	28	2	AS SHOWN	⊙	600	2,324	-	-	-	-	-	3,524	-	3.52	7.05	4.833	34						
							D2	28	2	AS SHOWN	⊙	600	2,324	-	-	-	-	-	3,524	-	3.52	7.05	4.833	34						
							D3	12	8	169	⊙	2,324	-	-	-	-	-	-	2,324	-	2.32	18.59	0.888	17						
							D4	12	11	147	⊙	962 AVE.	150	-	-	-	-	-	2,523 AVE	-	2.52	27.75	0.888	25						
							SUB-TOTAL																			110				
							GRADE 60																			42				
2.99	SIDEWALK	2.99	SW1	12	10	AS SHOWN	⊙	14,880	-	-	-	-	-	14,880	0.480	15.34	153.40	0.888	136											
			SW2	16	75	209	⊙	140	718	400	-	-	-	-	1,258	-	1.28	94.35	1.579	149										
			SW3	12	50	300	⊙	140	732	-	-	-	-	-	1,012	-	1.01	50.60	0.888	45										
			SW4	12	50	300	⊙	250	350	-	-	-	-	-	0.600	-	0.60	30.00	0.888	27										
			SUB-TOTAL																			357								
GRADE 40																			357											
GRADE 60																			-											
1.00	RAILING AND POST	1.00	P1	20	32	AS SHOWN	⊙	300	916	-	-	-	-	-	1,216	-	1.22	38.91	2.466	96										
			P2	10	48	AS SHOWN	⊙	170	170	100	-	-	-	-	0.880	-	0.88	42.24	0.616	28										
			R1	16	4	AS SHOWN	⊙	14,880	-	-	-	-	-	-	14,880	0.640	15.52	62.24	1.579	98										
			R2	10	67	AS SHOWN	⊙	250	100	100	-	-	-	-	0.900	-	0.90	60.30	0.616	37										
SUB-TOTAL																			257											
GRADE 40																			151											
GRADE 60																			96											
10.89	GIRDER	10.89	G1	28	6	AS SHOWN	⊙	1,800	15,500	-	-	-	-	-	19,100	1.120	20.22	121.32	4.833	586										
			G2	38	4	AS SHOWN	⊙	500	15,500	-	-	-	-	-	16,500	1.440	17.94	71.76	7.991	573										
			G3	38	4	AS SHOWN	⊙	900	15,500	-	-	-	-	-	16,500	1.440	17.94	71.76	7.991	573										
			G4	38	4	AS SHOWN	⊙	14,100	-	-	-	-	-	-	14,100	1.440	15.54	62.16	7.991	497										
			G5	38	4	AS SHOWN	⊙	11,700	-	-	-	-	-	-	11,700	-	11.70	48.80	7.991	374										
			G6	38	4	AS SHOWN	⊙	11,700	-	-	-	-	-	-	11,700	-	11.70	48.80	7.991	374										
			G7	36	4	AS SHOWN	⊙	8,780	-	-	-	-	-	-	8,780	-	8.78	35.12	7.991	281										
			G10	16	28	AS SHOWN	⊙	15,500	-	-	-	-	-	-	15,500	0.640	18.14	451.92	1.579	714										
			G11	16	89	AS SHOWN	⊙	1,242 AVE.	300	150	-	-	-	-	3,383 AVE	-	3.38	233.43	1.579	369										
			SUB-TOTAL																			4,341								
			GRADE 40																			1,083								
GRADE 60																			3,258											
28.91	GRAND TOTAL	28.91																	GRAND TOTAL	7,957										
																			GRADE 40	4,535										
																			GRADE 60	3,422										

TUNA, ABRAHAM JR. T.
SEAD 17-0102914 -A

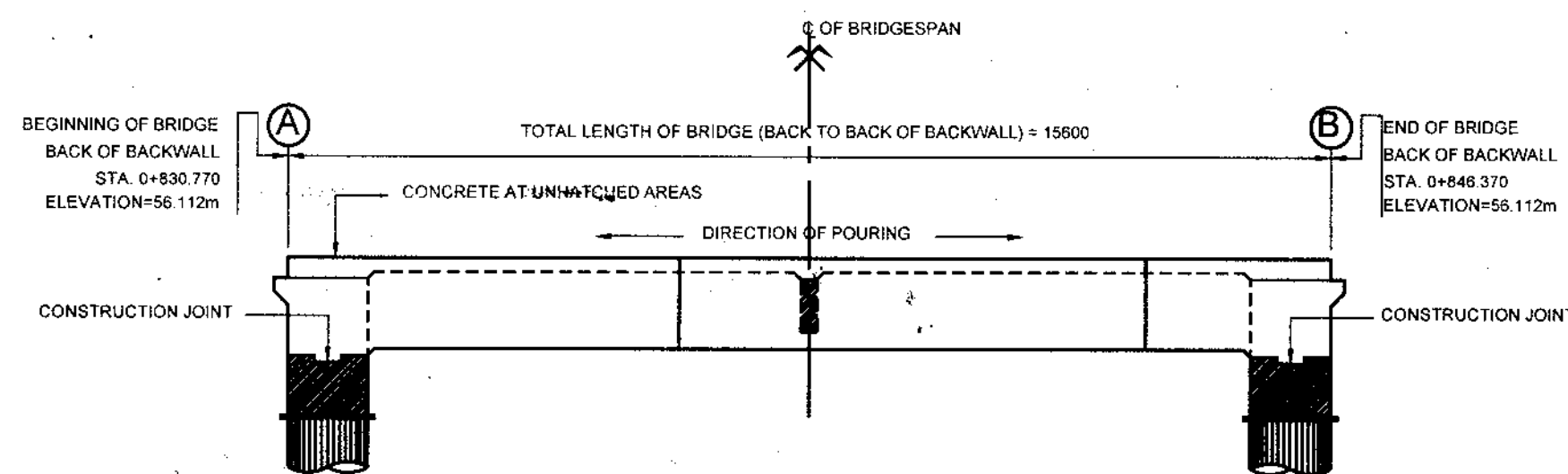


	REPUBLIC OF THE PHILIPPINES DEPARTMENT OF AGRICULTURE "PHILIPPINE RURAL DEVELOPMENT PROJECT SCALE UP" PROVINCE OF DAVAO DE ORO MUNICIPALITY OF MONTEVISTA & NABUNTURAN	PROJECT NO.:	PRDP-SU-IB-R011-DDO-004-000-000-2023-FMB	PREPARED BY:	DESIGNED BY:	CHECKED & REVIEWED BY:	RECOMMENDING APPROVAL:	APPROVED:	SHEET NO.
		SUBPROJECT TITLE:	REHABILITATION OF NEW VISAYAS - BANAGBANAG, MONTEVISTA TO MAGADING, NABUNTURAN ROAD WITH EXPANSION OF EXISTING BRIDGE						36
		LOCATION:	MONTEVISTA AND NABUNTURAN, DAVAO DE ORO	EDWIN S. SALUDES PLANNING & DESIGN DIVISION CHIEF	RONNIE S. APARRI ENGINEER II	RÖDERICK M. DIGAMON PROVINCIAL ENGINEER	ALICIA M. GRACIADAS CO-PPMIU	DOROTHY P. MONTECRUZ-GONZAGA GOVERNOR	AS STATED

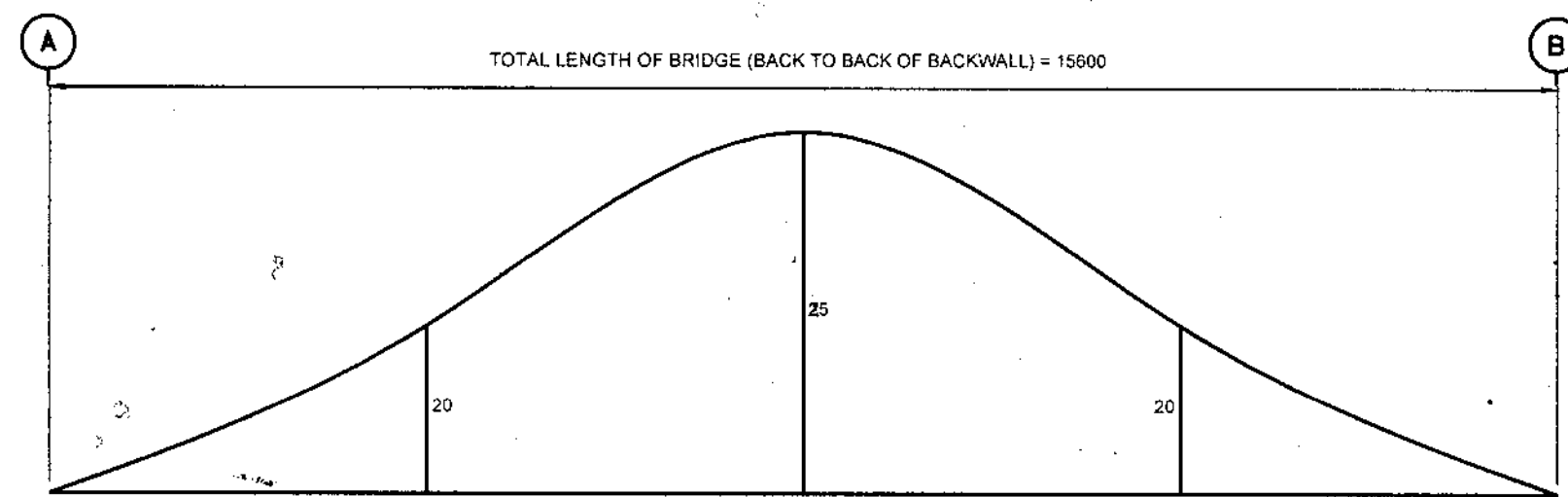


- NOTE:
1. CONCRETE AT MATCHED AREAS SHALL BE PLACED AT LEAST ONE DAY AHEAD OF CONCRETE AT UNMATCHED AREAS
 2. REINFORCEMENT SHALL BE CONTINUOUS AT CONSTRUCTION JOINTS
 3. CONSTRUCTION OF SUPERSTRUCTURE SHALL BE FULLY SHORED

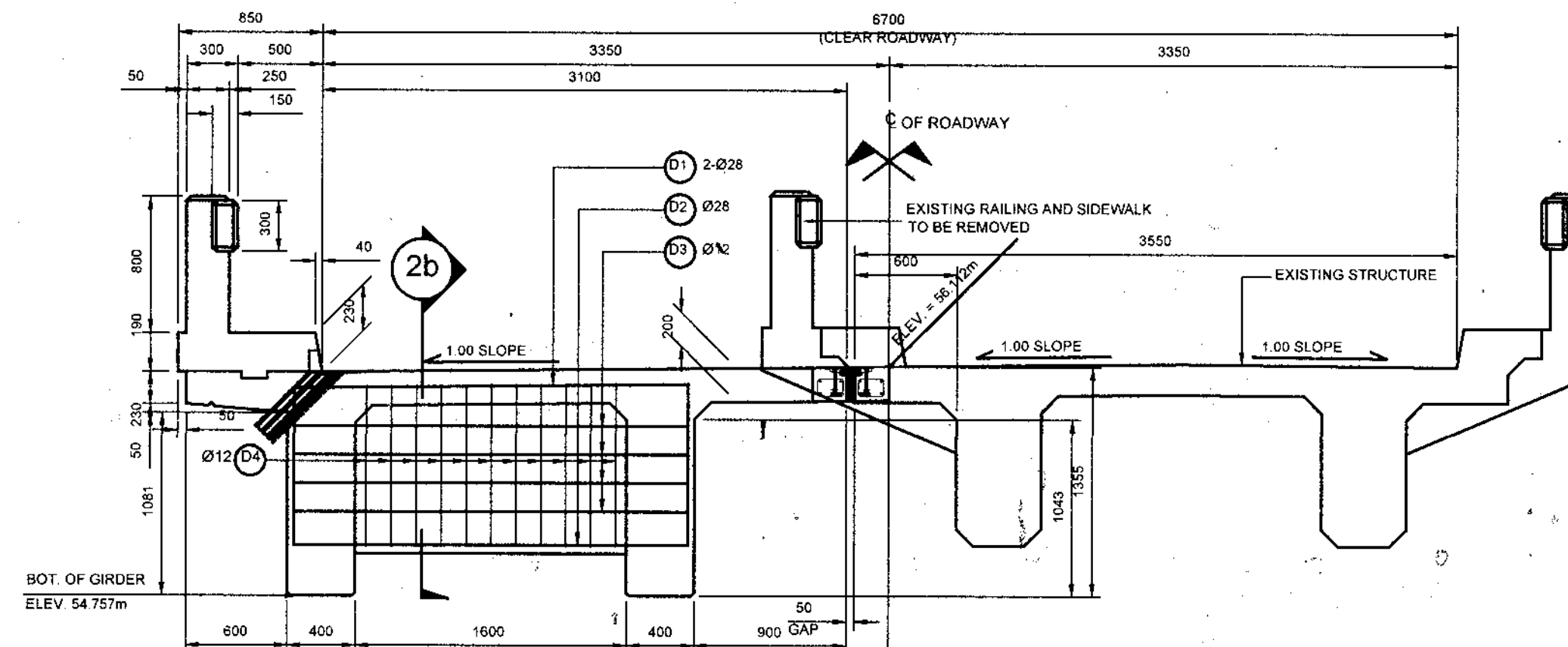
1a PLAN
SCALE: NTS



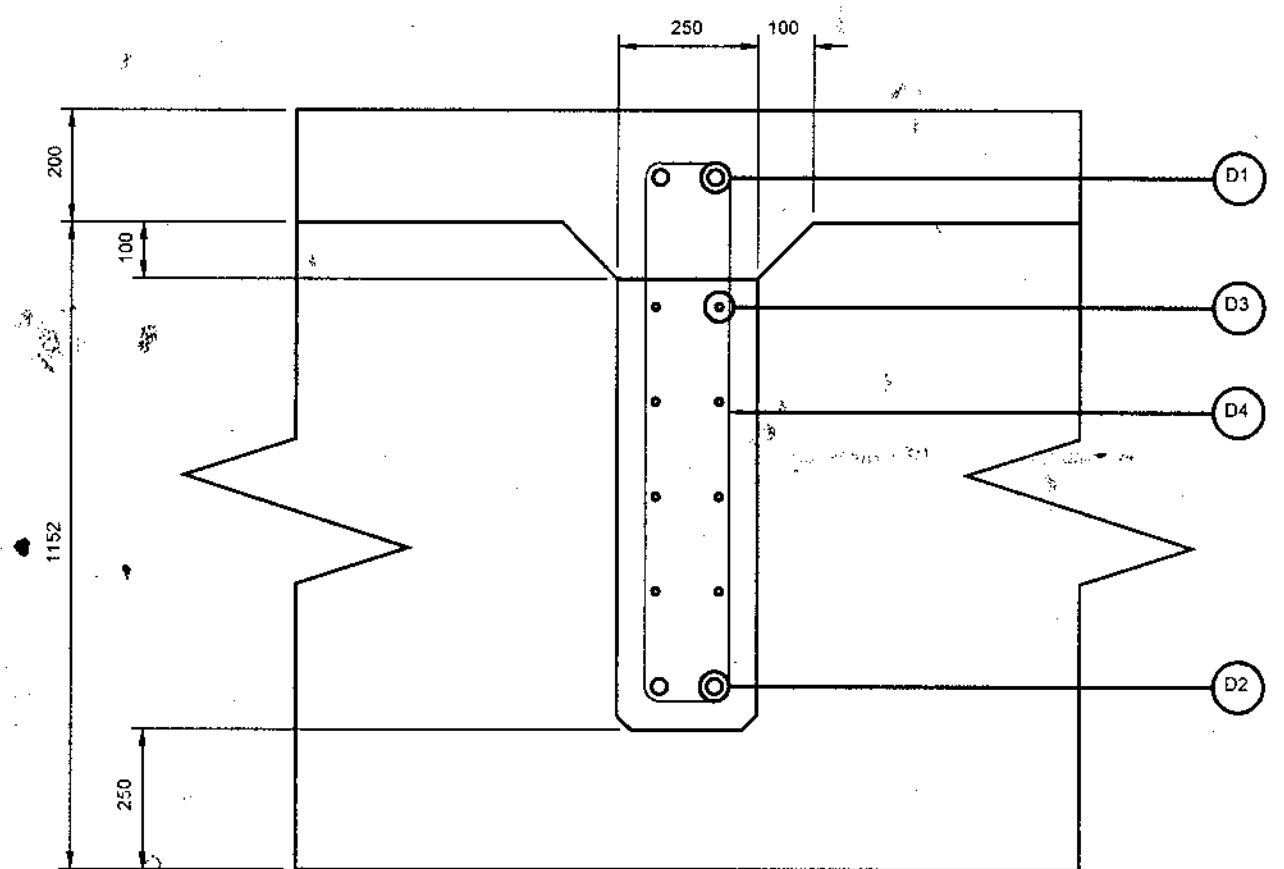
1b ELEVATION
SCALE: NTS



3 CAMBER DIAGRAM
SCALE: NTS



2a ELEVATION
SCALE: NTS

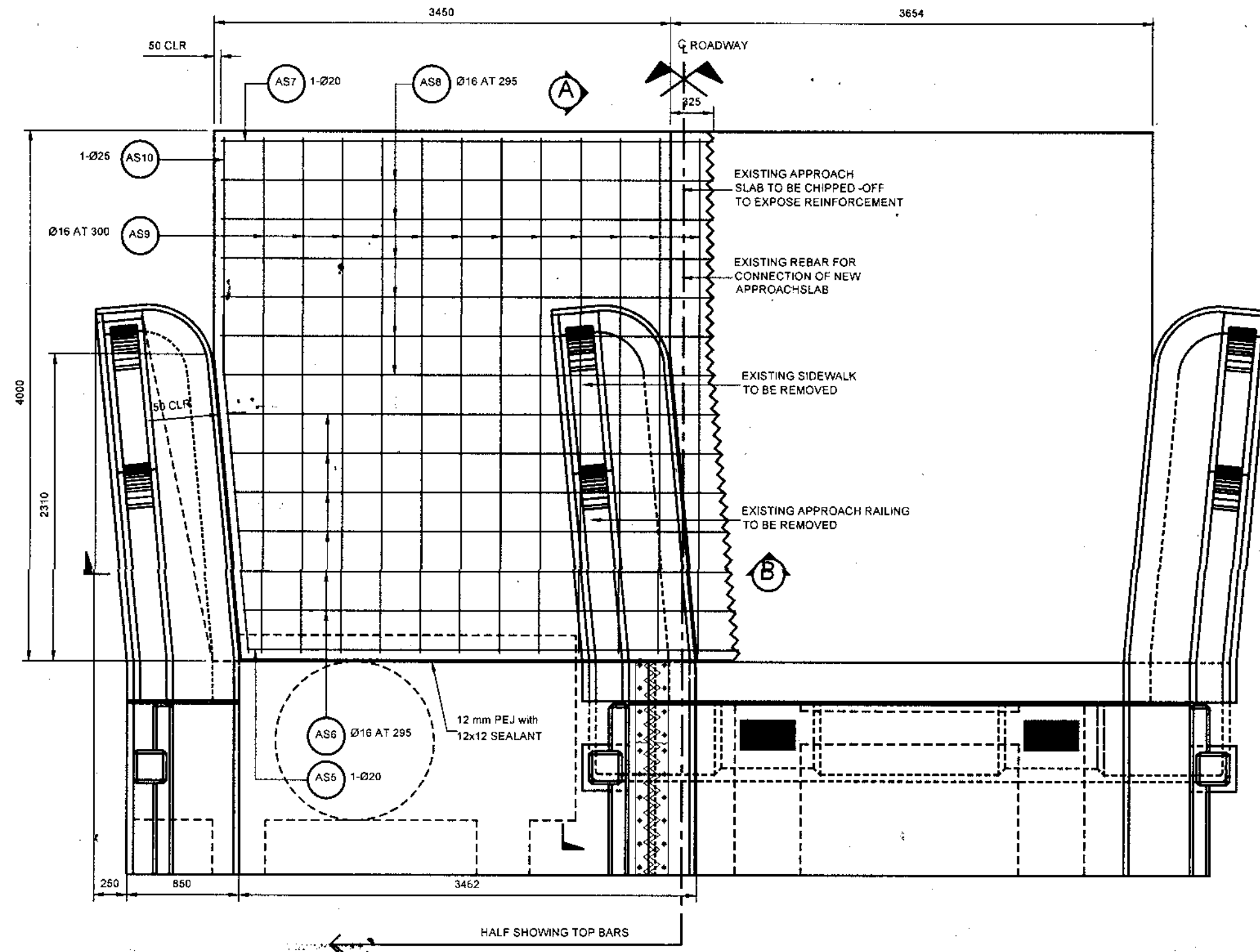


3 SECTION
SCALE: NTS

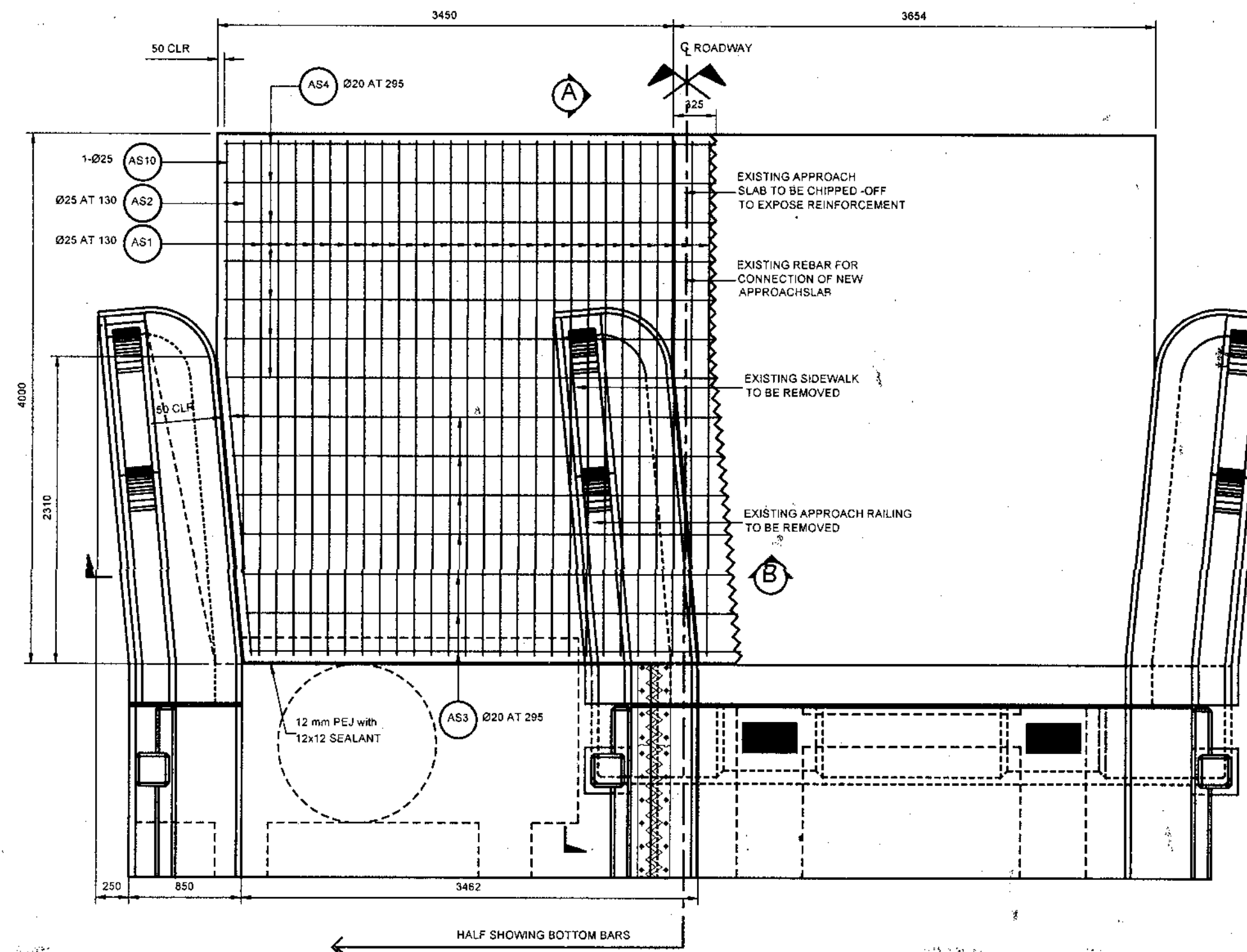
TWA. ABG/AM JR. T.
SEAD 19-0102914 -A

RPC-1
NO OBJECTION
SIGNATURE: ENGR. MARCO ANTONIO RADDONON

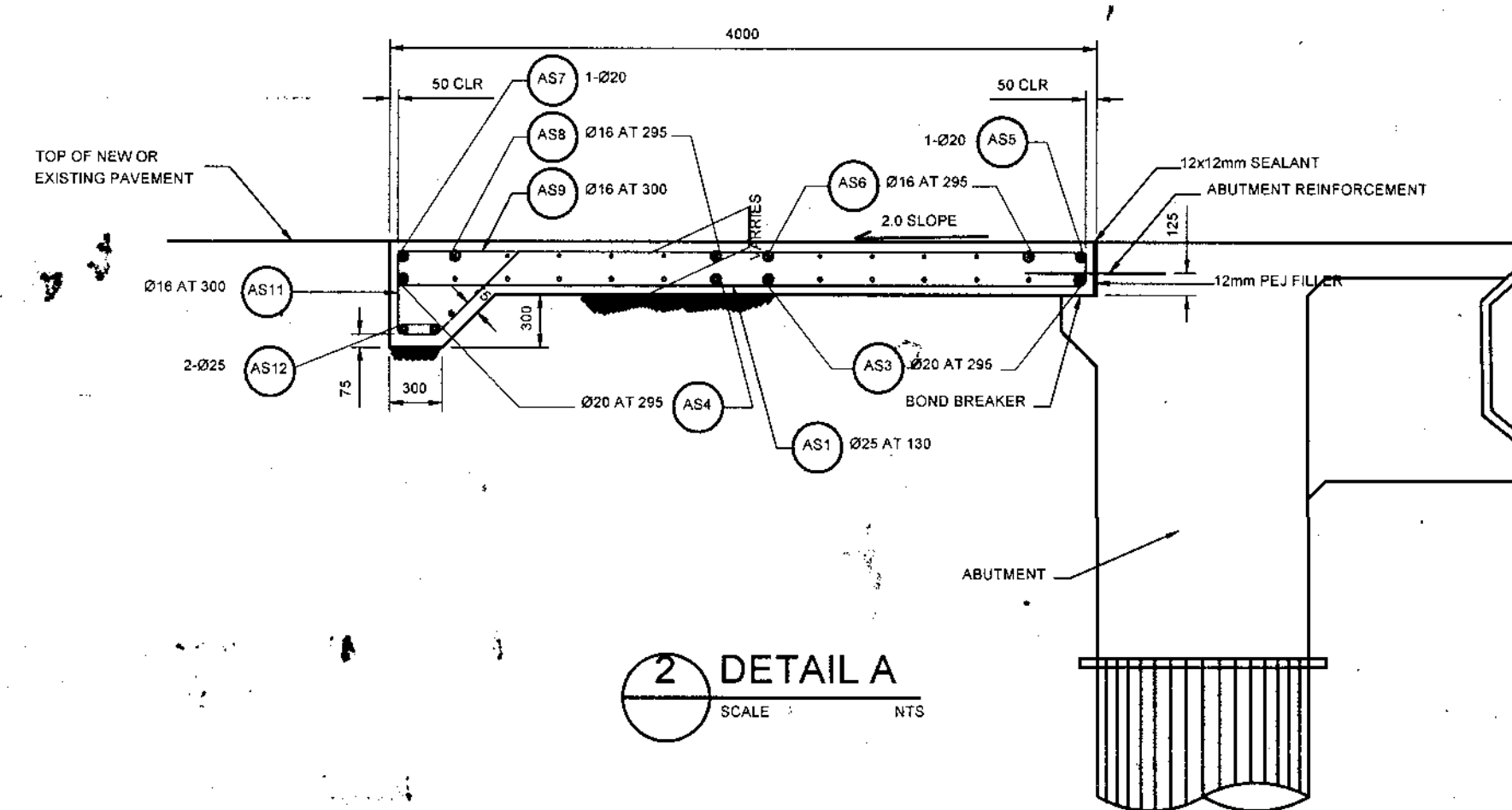
	REPUBLIC OF THE PHILIPPINES DEPARTMENT OF AGRICULTURE "PHILIPPINE RURAL DEVELOPMENT & PROJECT SCALE UP" PROVINCE OF DAVAO DE ORO MUNICIPALITY OF MONTEVISTA & NABUNTURAN	PROJECT NO.: PRDP-SU-IB-R011-DDO-004-000-000-2023-FMB	PREPARED BY:	DESIGNED BY:	CHECKED & REVIEWED BY:	RECOMMENDING APPROVAL:	APPROVED:	SHEET CONTENTS: AS STATED	SHEET NO.
		SUBPROJECT TITLE: REHABILITATION OF NEW VISAYAS - BANAGRANAG, MONTEVISTA TO MAGADING, NABUNTURAN ROAD WITH EXPANSION OF EXISTING BRIDGE	EDWIN S. SALUDES PLANNING & DESIGN DIVISION CHIEF	RONNIE S. APARRI ENGINEER II	RODERICK M. DIGAMON PROVINCIAL ENGINEER	ALICIA M. GRACIADAS CO-PPMIU	DOROTHY P. MONTEJO GONZAGA GOVERNOR		37
		LOCATION: MONTEVISTA AND NABUNTURAN, DAVAO DE ORO							78



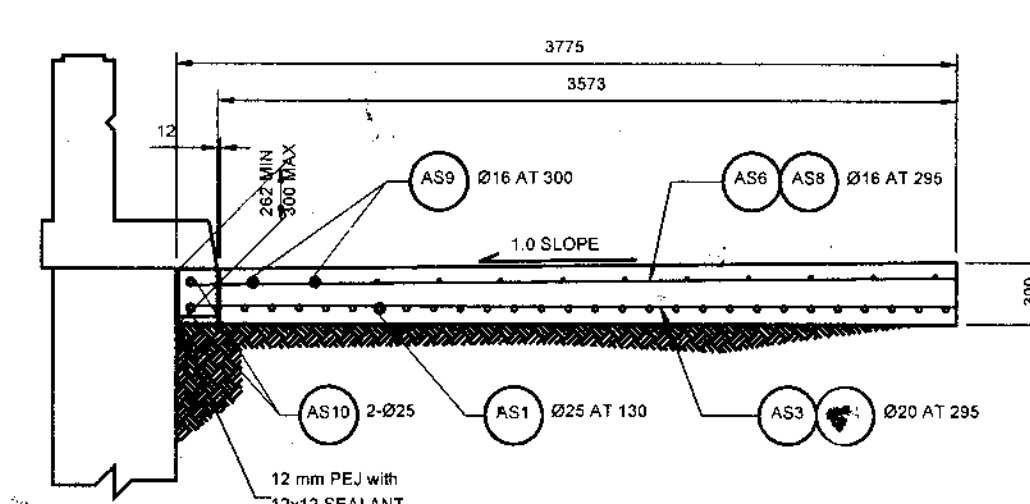
1a PLAN (TOP BARS)
SCALE: NTS



1b PLAN (BOTTOM BARS)
SCALE: NTS



2 DETAIL A
SCALE: NTS



3 DETAIL B
SCALE: NTS

TUNA, ABRAM JR. T.
SEAD 17-0102914-A

RPC/XI
NO OBJECTION
SIGNATURE:


	REPUBLIC OF THE PHILIPPINES DEPARTMENT OF AGRICULTURE "PHILIPPINE RURAL DEVELOPMENT PROJECT SCALE UP" PROVINCE OF DAVAO DE ORO MUNICIPALITY OF MONTEVISTA & NABUNTURAN	PROJECT NO.:	PRDP-SU-IB-R011-DDO-004-000-000-2023-FMB	PREPARED BY:	EDWIN S. SALUDES PLANNING & DESIGN DIVISION CHIEF	DESIGNED BY:	RONNIE S. APARRI ENGINEER II	CHECKED & REVIEWED BY:	RODERICK M. DIGAMON PROVINCIAL ENGINEER	RECOMMENDING APPROVAL:	ALICIA M. GRACIADAS CO-PPMIU	APPROVED:	DOROTHY P. MONTEJO-GONZAGA GOVERNOR	SHEET CONTENTS:	AS STATED	SHEET NO.	38
	SUBPROJECT TITLE:	REHABILITATION OF NEW VISAYAS - BANAGBANAG, MONTEVISTA TO MAGADING, NABUNTURAN ROAD WITH EXPANSION OF EXISTING BRIDGE															
	LOCATION:	MONTEVISTA AND NABUNTURAN, DAVAO DE ORO															

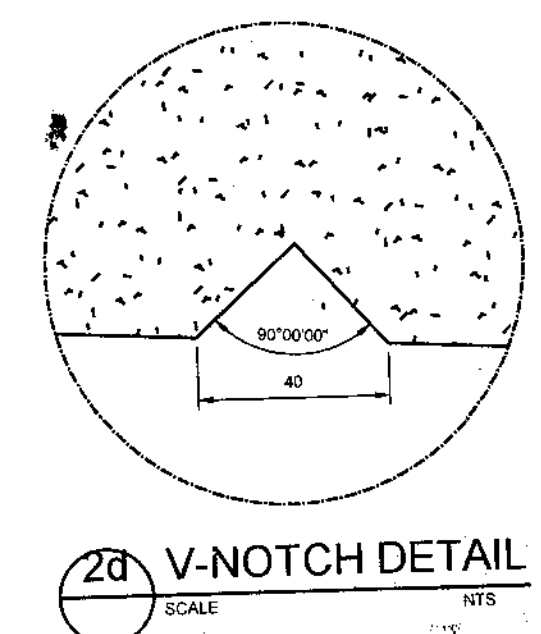
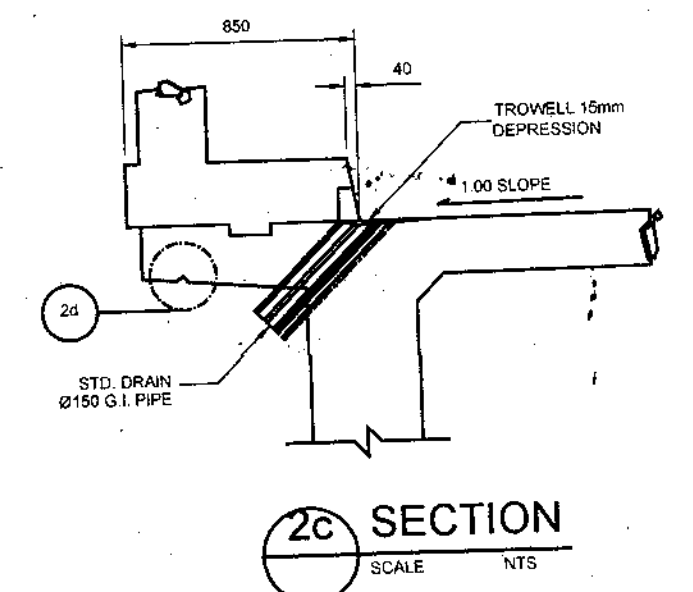
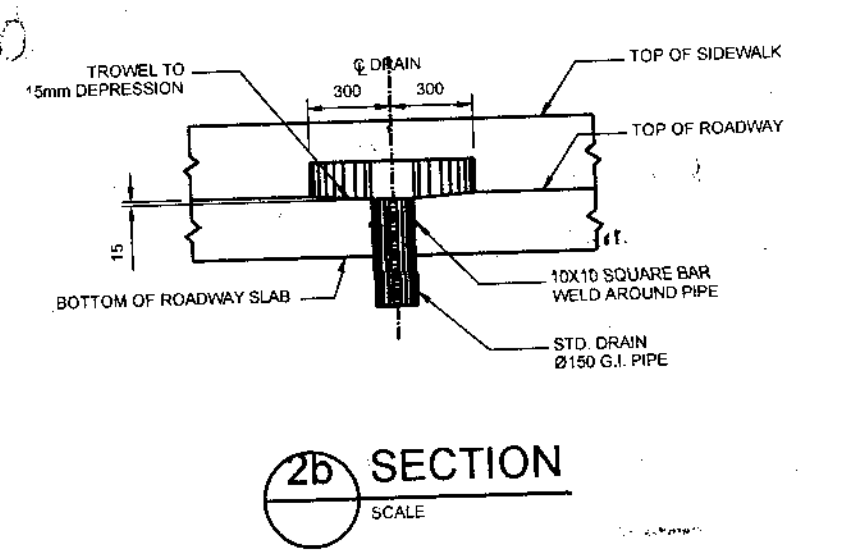
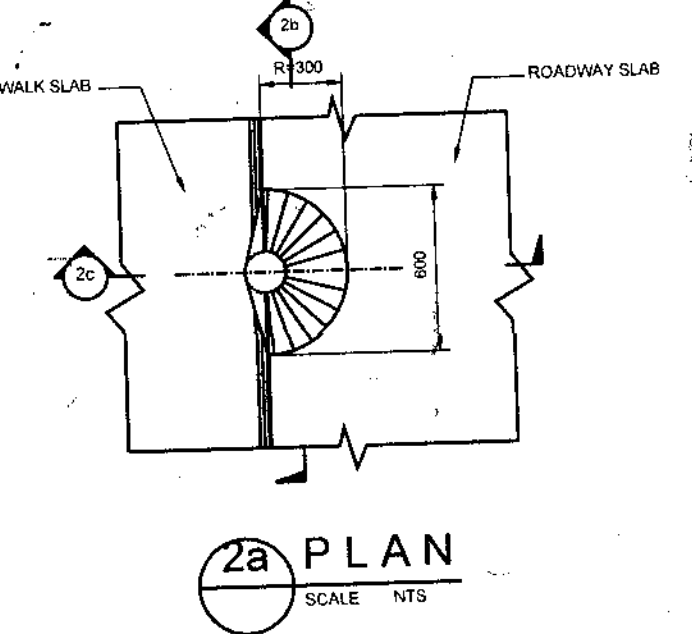
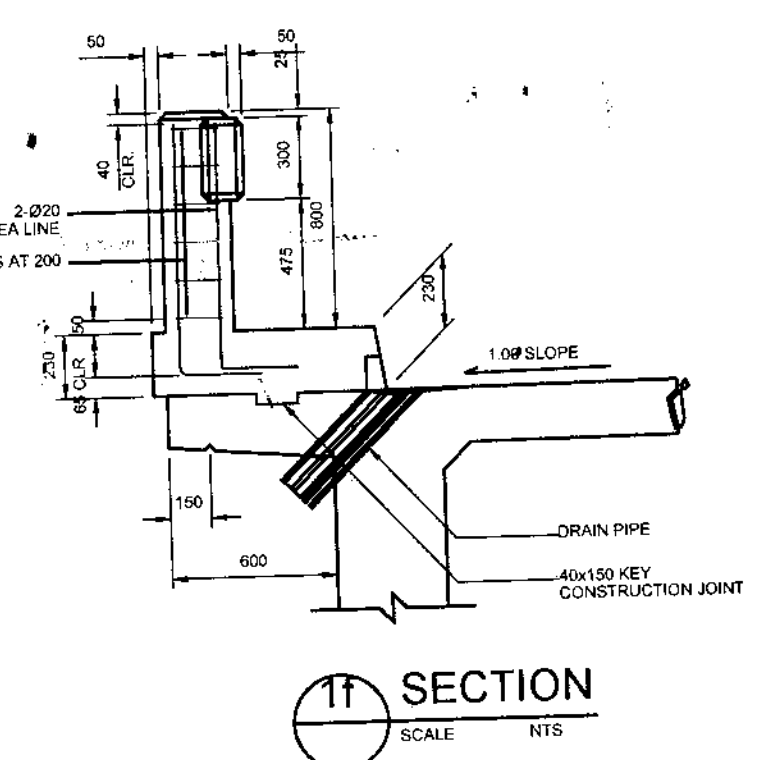
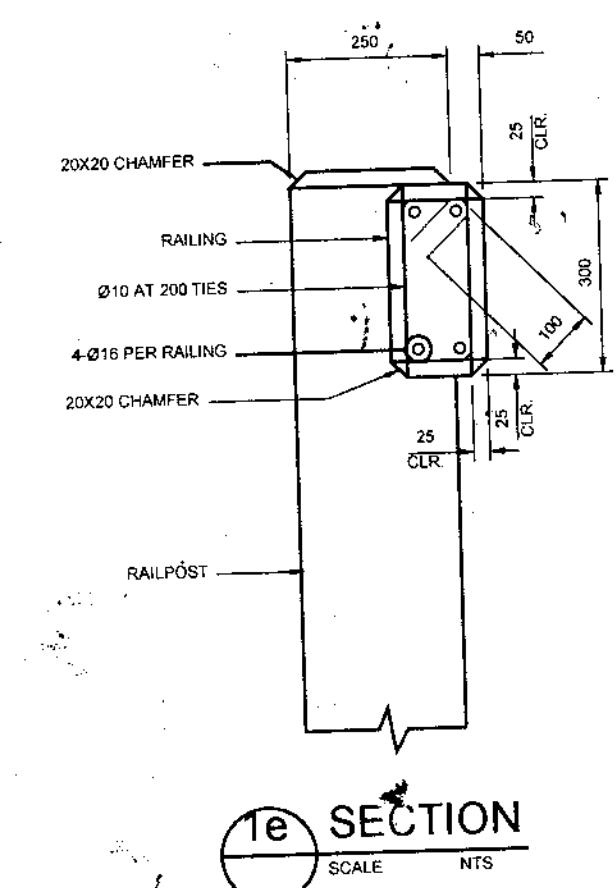
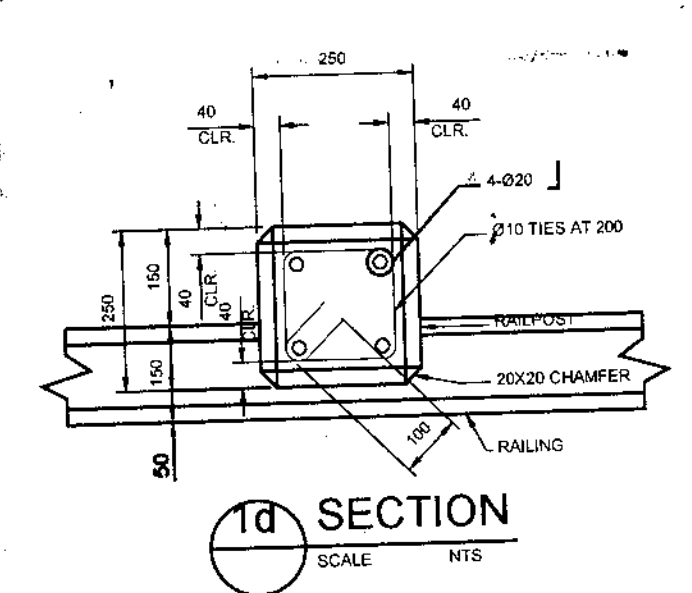
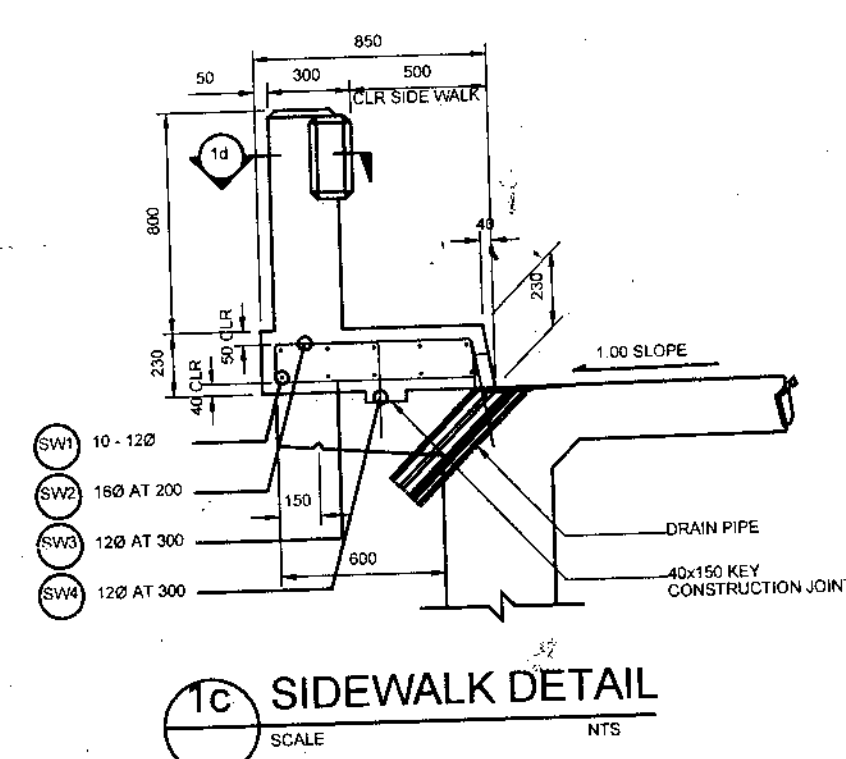
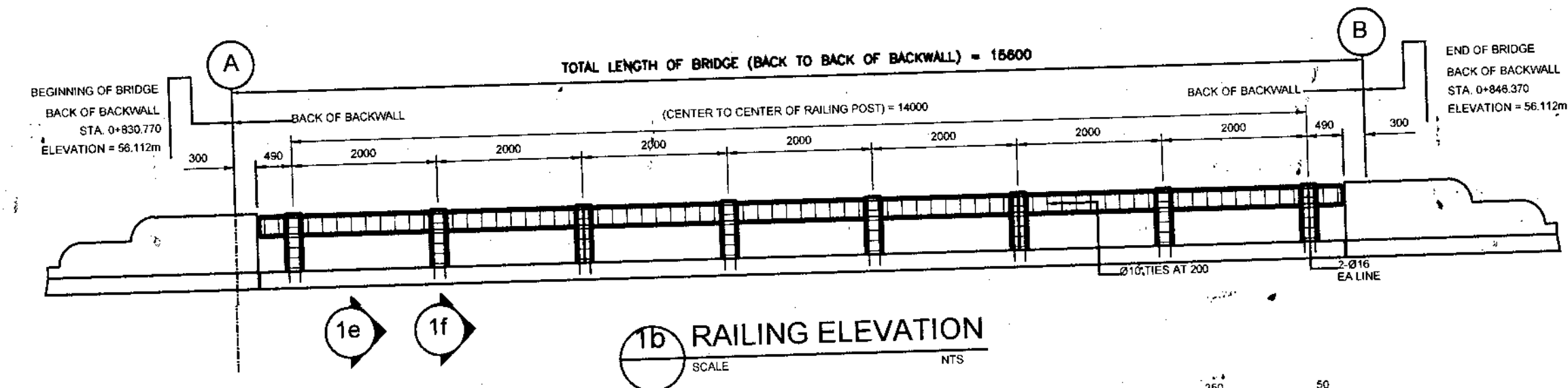
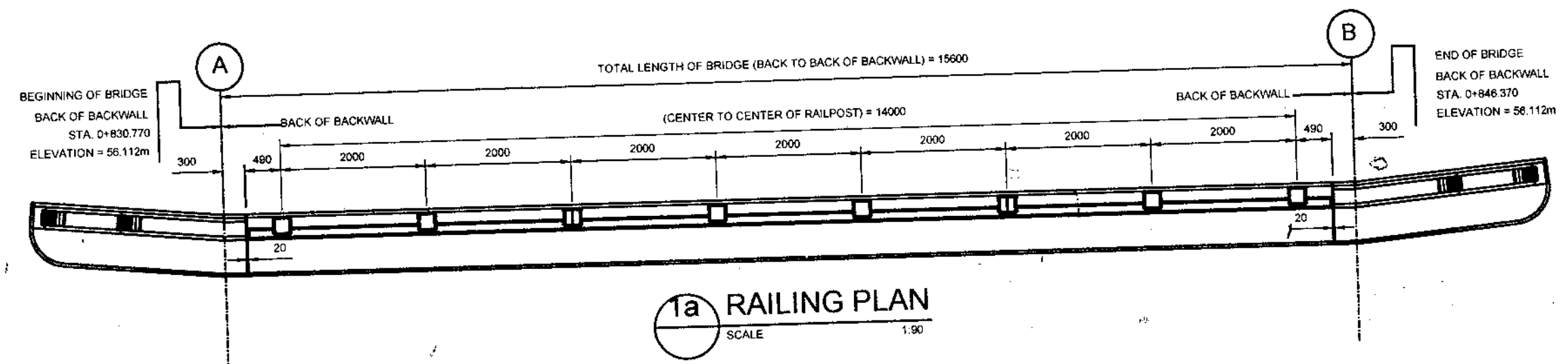
REINFORCEMENT SCHEDULE & ESTIMATED QUANTITIES FOR ONE (1) APPROACH SLAB

BAR BENDING DIAGRAM (DIMENSIONS ARE OUT TO OUT OF REBARS)	R E I N F O R C E M E N T														Concrete (cu.m.)	Remarks
	MARK	SIZE (mm)	QUANTITY	SPACING (mm)	SHAPE	BAR DIMENSIONS (mm)				Length per bar (m)	Total Length Per Bar (m)	Total Length (m)	Unit Weight (kgm)	Total Weight (kg)		
						a	b	c	d							
a A	AS 1	25	27	130	B	3,888	150	-	-	4.038	4.04	109.03	3.854	420	15.14	SPlicing IS BASED ON 12M COMMERCIAL LENGTH OF RSB
	AS 2	25	1	130	B	3,262	150	-	-	3.412	3.41	3.41	3.854	13		
a b B	AS 3	20	7	295	A	3,725	-	-	-	3.725	3.73	26.08	2.466	64		
	AS 4	20	7	295	A	3,725	-	-	-	3.725	3.73	26.08	2.466	64		
a b C	AS 5	20	1	As Shown	A	3,725	-	-	-	3.725	3.73	3.73	2.466	9		
	AS 6	16	6	295	A	3,725	-	-	-	3.725	3.73	22.35	1.579	35		
a b C	AS 7	20	1	As Shown	A	3,725	-	-	-	3.725	3.73	3.73	2.466	9		
	AS 8	16	6	295	A	3,718 AVE.	-	-	-	3.718	3.72	22.31	1.579	35		
a b C	AS 9	16	12	300	B	3,888	150	-	-	4.038	4.04	48.46	1.579	77		
	AS 10	25	2	As Shown	C	1,746	2,151	-	-	3.897	3.90	7.79	3.854	30		
a b c D	AS 11	16	12	300	D	400	434 AVE.	219	625 AVE.	1.678 AVE.	1.68	20.14	1.579	32		
	AS 12	25	2	As Shown	A	3,725	-	-	-	3.725	3.73	7.45	3.854	29		
GRAND TOTAL														817	15.14	
GRADE 40														179		
GRADE 60														638		

TUNA, ABRAHAM JR. T
SEAD 17-0102914-A

RPC/AL
NO OBJECTION
SIGNATURE: [Signature]
SHEET CONTENTS:

 REPUBLIC OF THE PHILIPPINES DEPARTMENT OF AGRICULTURE "PHILIPPINE RURAL DEVELOPMENT PROJECT SCALE UP" PROVINCE OF DAVAO DE ORO MUNICIPALITY OF MONTEVISTA & NABUNTURAN	PROJECT NO.: PRDP-SU-IB-R011-DDO-004-000-000-2023-FMB	PREPARED BY: EDWIN S. SALUDES PLANNING & DESIGN DIVISION CHIEF	DESIGNED BY: RONNIE S. APARRI ENGINEER II	CHECKED & REVIEWED BY: RODERICK M. DIGAMON PROVINCIAL ENGINEER	RECOMMENDING APPROVAL: ALICIA M. GRACIADAS CO-PPMIU	APPROVED: DOROTHY P. MONTEJO-GONZAGA GOVERNOR	SHEET CONTENTS: AS STATED	SHEET NO. 39 / 78
	SUBPROJECT TITLE: REHABILITATION OF NEW VISAYAS - BANAGBANAG, MONTEVISTA TO MAGADING, NABUNTURAN ROAD WITH EXPANSION OF EXISTING BRIDGE	LOCATION: MONTEVISTA AND NABUNTURAN, DAVAO DE ORO						



TWA, ABIGAYON JR-T.
SEAD 17-010294-A

RPCO XI
NO OBJECTION
SHEETS: 40
DATE: 01/24/2023

REPUBLIC OF THE PHILIPPINES
DEPARTMENT OF AGRICULTURE
"PHILIPPINE RURAL DEVELOPMENT
PROJECT SCALE UP"
PROVINCE OF DAVAO DE ORO
MUNICIPALITY OF MONTEVISTA & NABUNTURAN

PROJECT NO.: PRDP-SU-IB-R011-DDO-004-000-000-2023-FMB
SUBPROJECT TITLE: REHABILITATION OF NEW VISAYAS - BANAGBANAG, MONTEVISTA TO MAGADING, NABUNTURAN ROAD WITH EXPANSION OF EXISTING BRIDGE
LOCATION: MONTEVISTA AND NABUNTURAN, DAVAO DE ORO

PREPARED BY:
EDWIN S. SALUDES
PLANNING & DESIGN DIVISION CHIEF

DESIGNED BY:
RONNIE S. APARRI
ENGINEER II

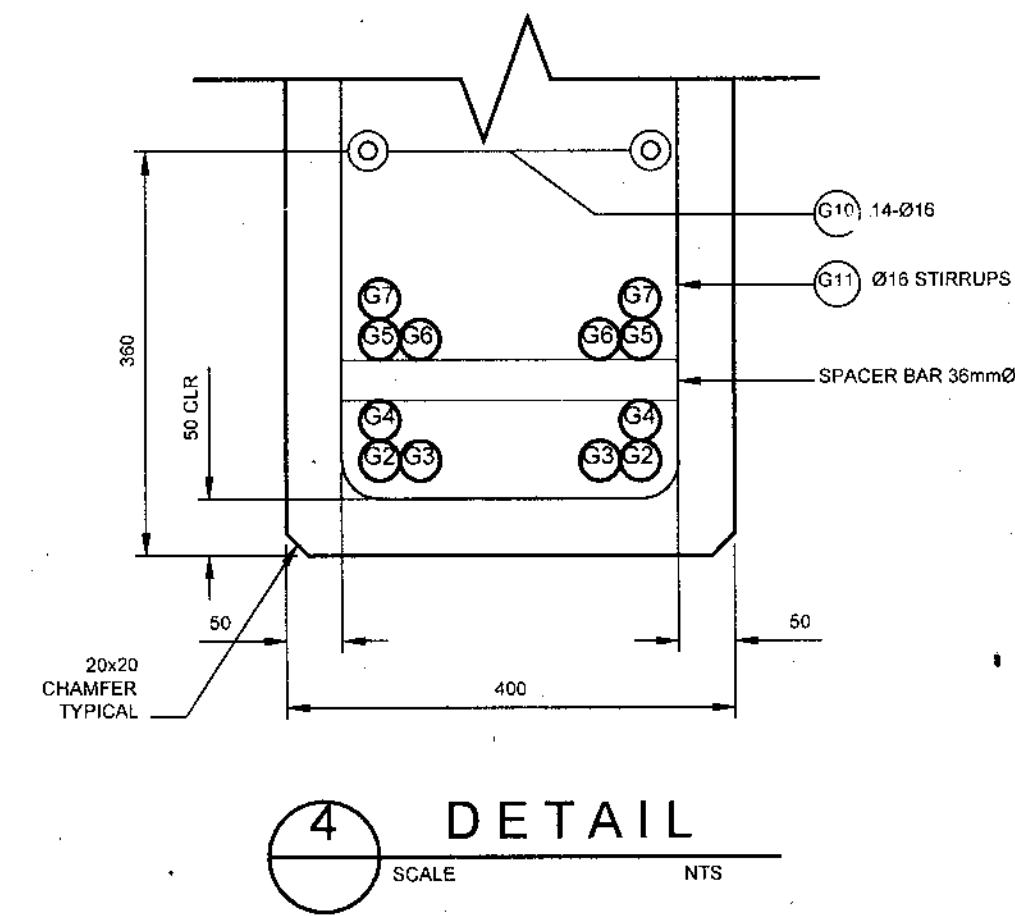
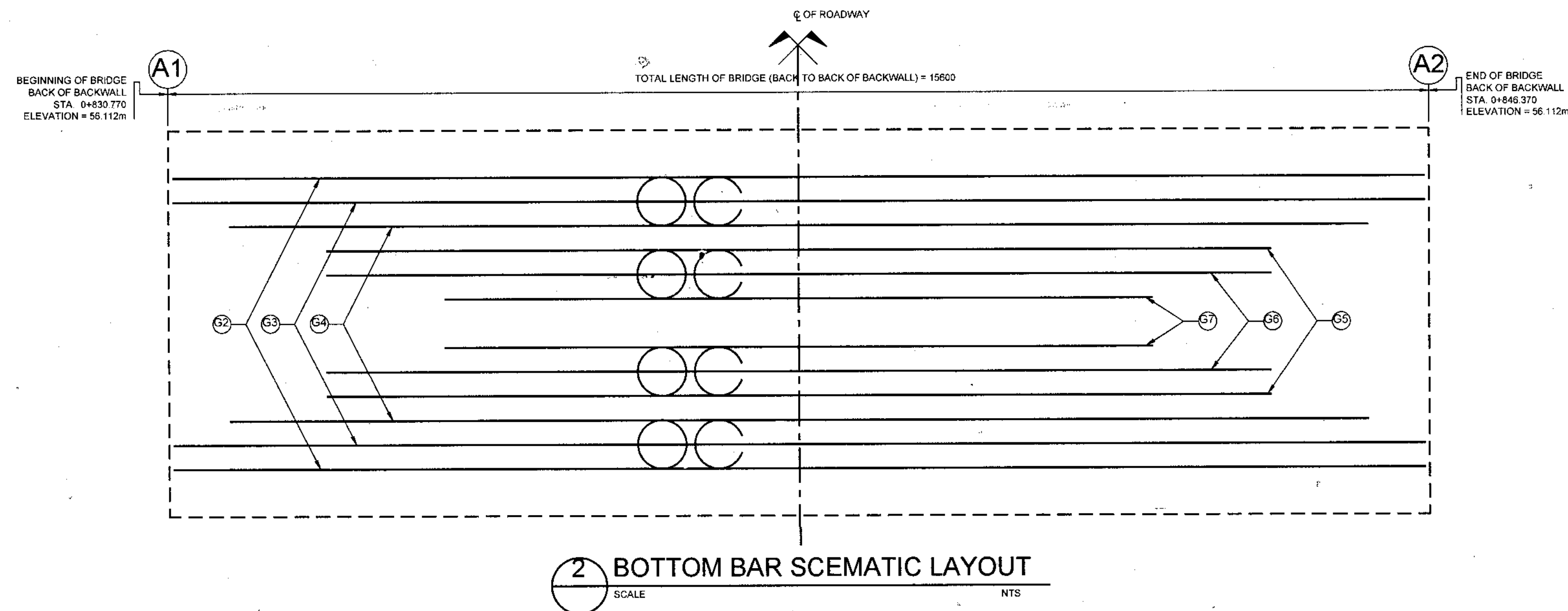
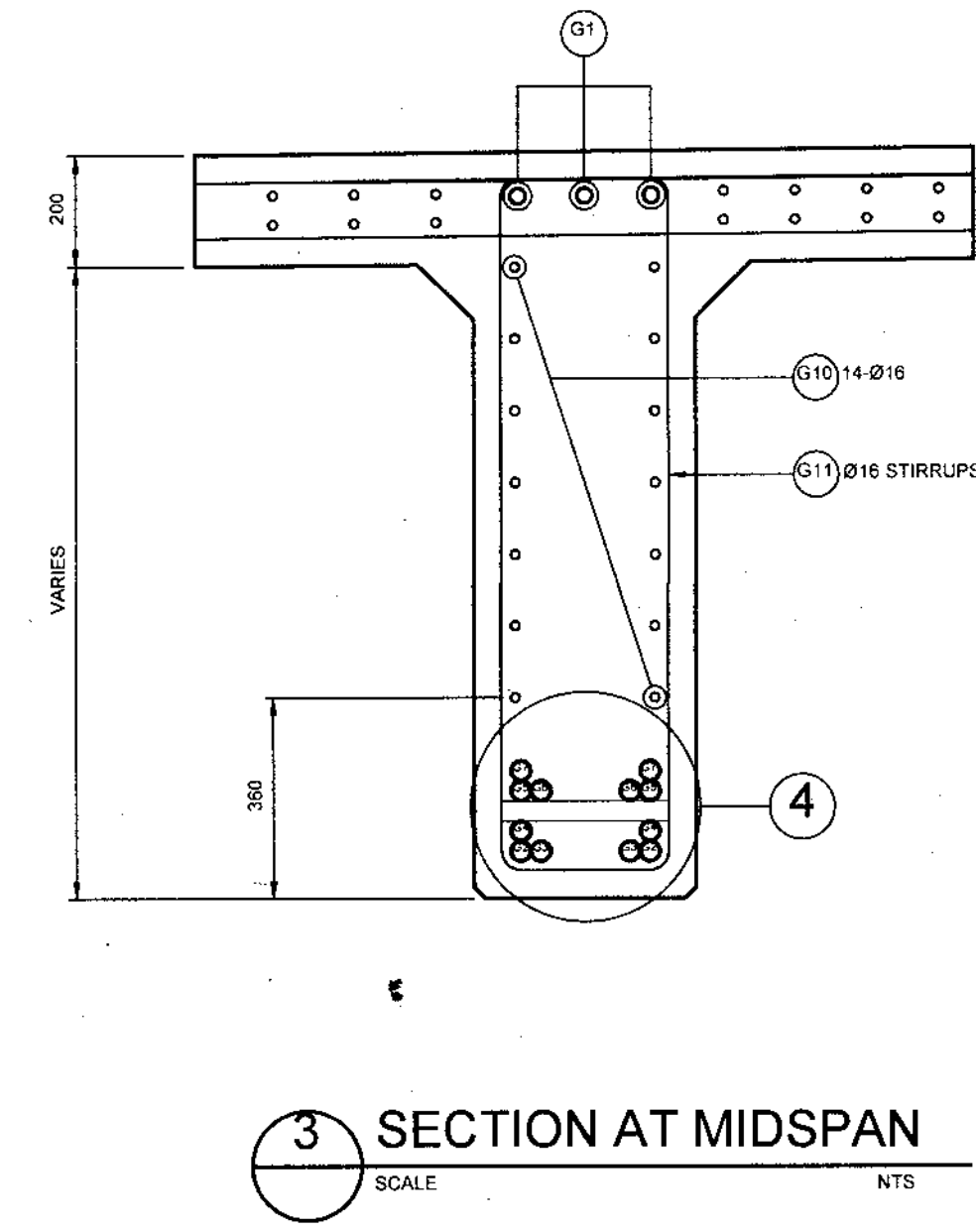
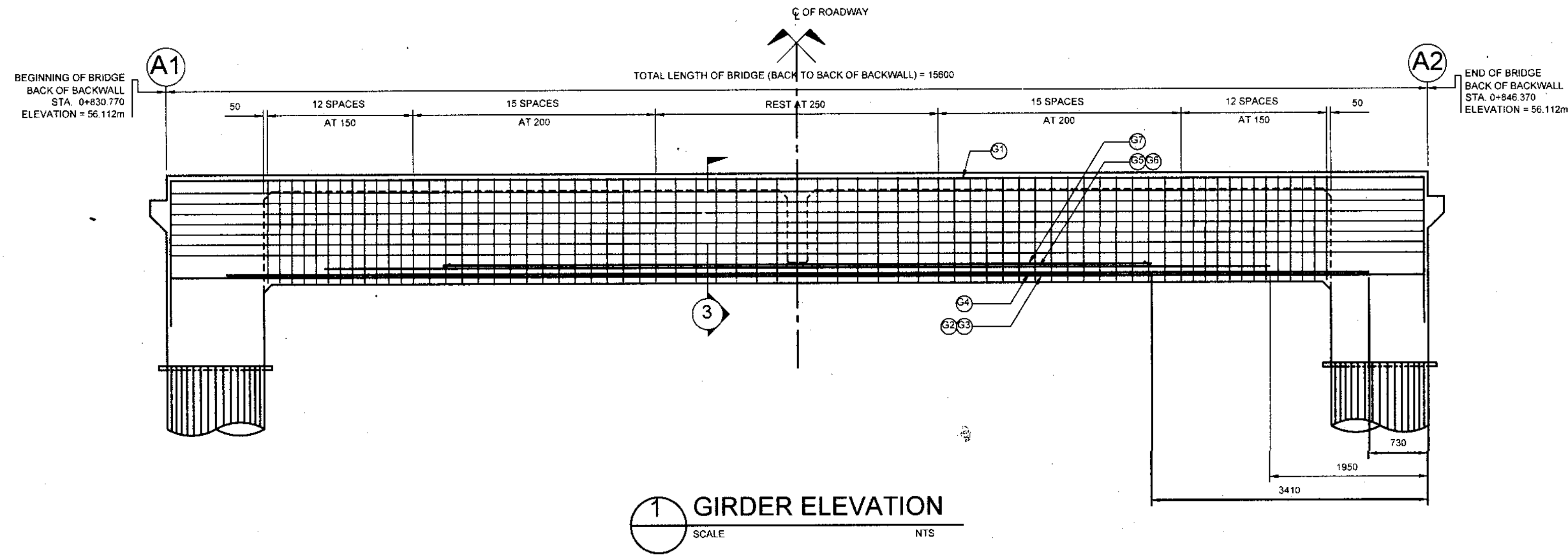
CHECKED & REVIEWED BY:
RODERICK M. DIGAMON
PROVINCIAL ENGINEER

RECOMMENDING APPROVAL:
ALICIA M. GRACIADAS
CC-PPMIU

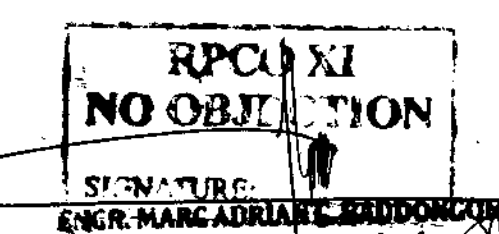
APPROVED:
DOROTHY P. MONTEJO GONZAGA
GOVERNOR

SHEET CONTENTS:
AS STATED

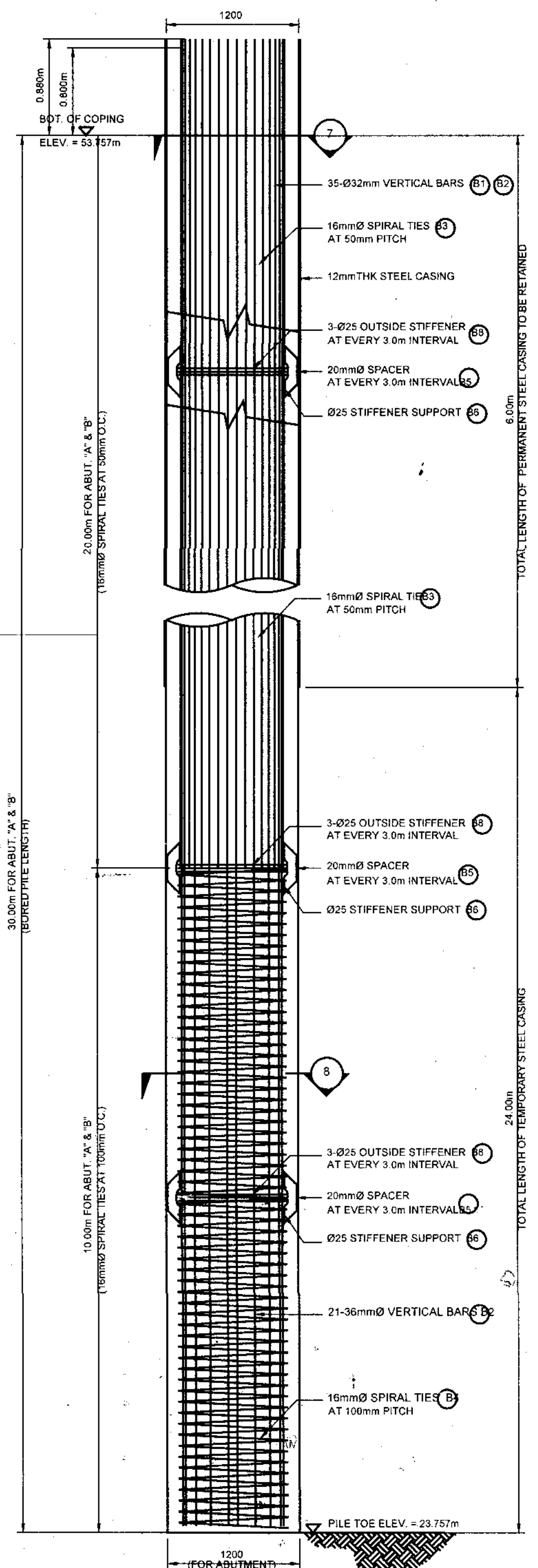
SHEET NO.
40
78



TUWA, ABRHAM JR. T.
SEAO A-002914-A



<p>REPUBLIC OF THE PHILIPPINES DEPARTMENT OF AGRICULTURE "PHILIPPINE RURAL DEVELOPMENT PROJECT SCALE UP" PROVINCE OF DAVAO DE ORO MUNICIPALITY OF MONTEVISTA & NABUNTURAN</p>	PROJECT NO.:	PRDP-SU-IB-R011-DDO-004-000-000-2023-FMB	PREPARED BY:	DESIGNED BY:	CHECKED & REVIEWED BY:	RECOMMENDING APPROVAL:	APPROVED:	SHEET CONTENTS:	SHEET NO.
	SUBPROJECT TITLE:	REHABILITATION OF NEW VISAYAS - BANAGBANAG, MONTEVISTA TO MAGADING, NABUNTURAN ROAD WITH EXPANSION OF EXISTING BRIDGE	EDWIN S. SALUDES PLANNING & DESIGN DIVISION CHIEF	RONNIE S. APARRI ENGINEER II	RODERICK M. DIGAMON PROVINCIAL ENGINEER	ALICIA M. GRACIADAS CO-PPMIU	DOROTHY P. MONTEJO-GONZAGA GOVERNOR	AS STATED	41 78
LOCATION:	MONTEVISTA AND NABUNTURAN, DAVAO DE ORO								



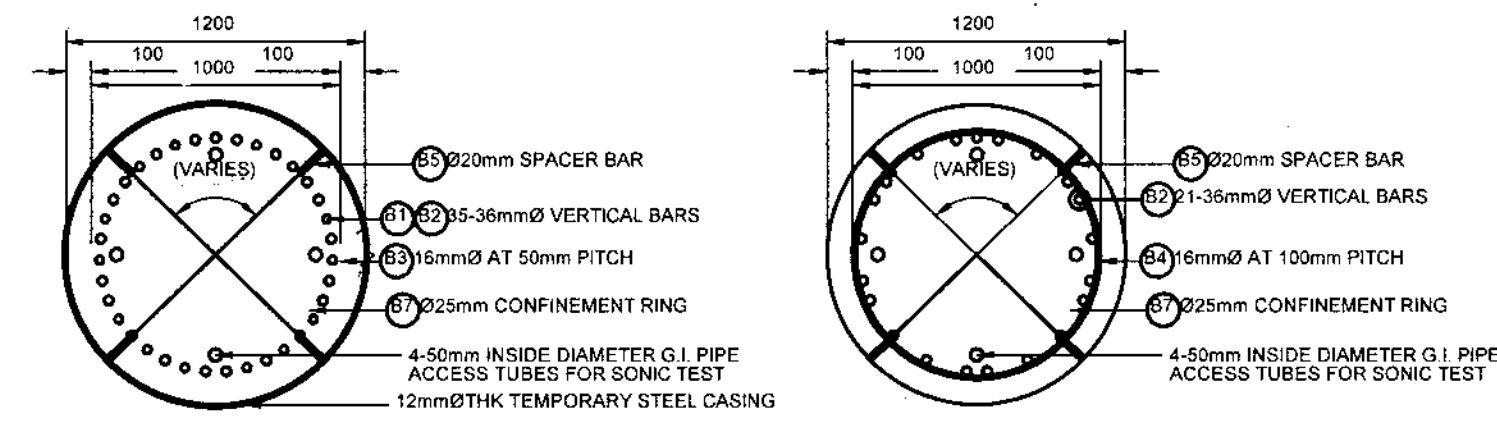
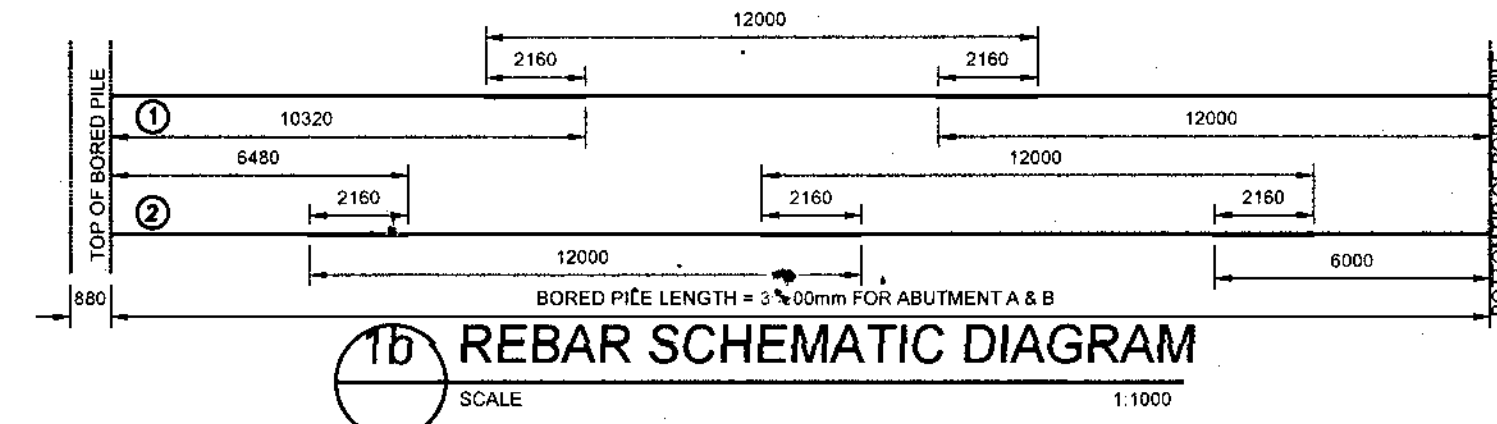
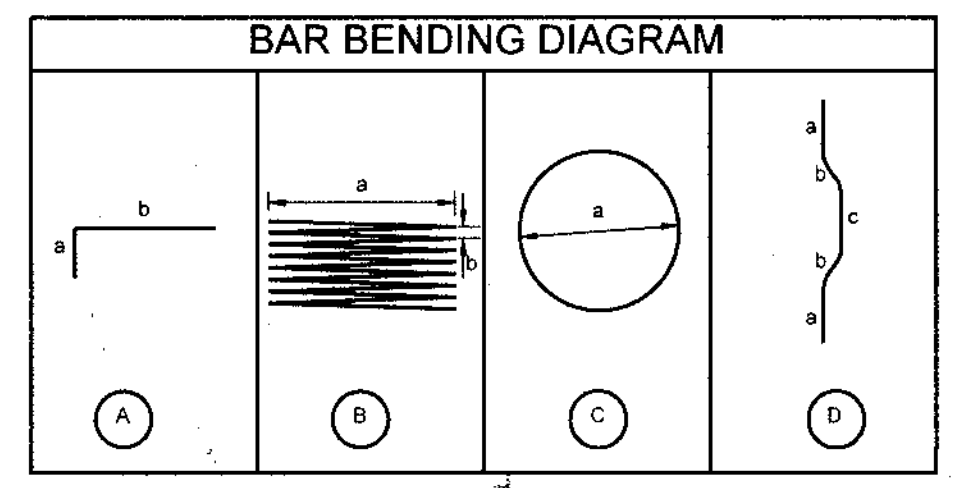
1 BORED PILE DETAILS
SCALE 1:55

REINFORCEMENT SCHEDULE AND ESTIMATED QUANTITIES FOR ABUTMENT ONE (1) BORED PILE ONLY

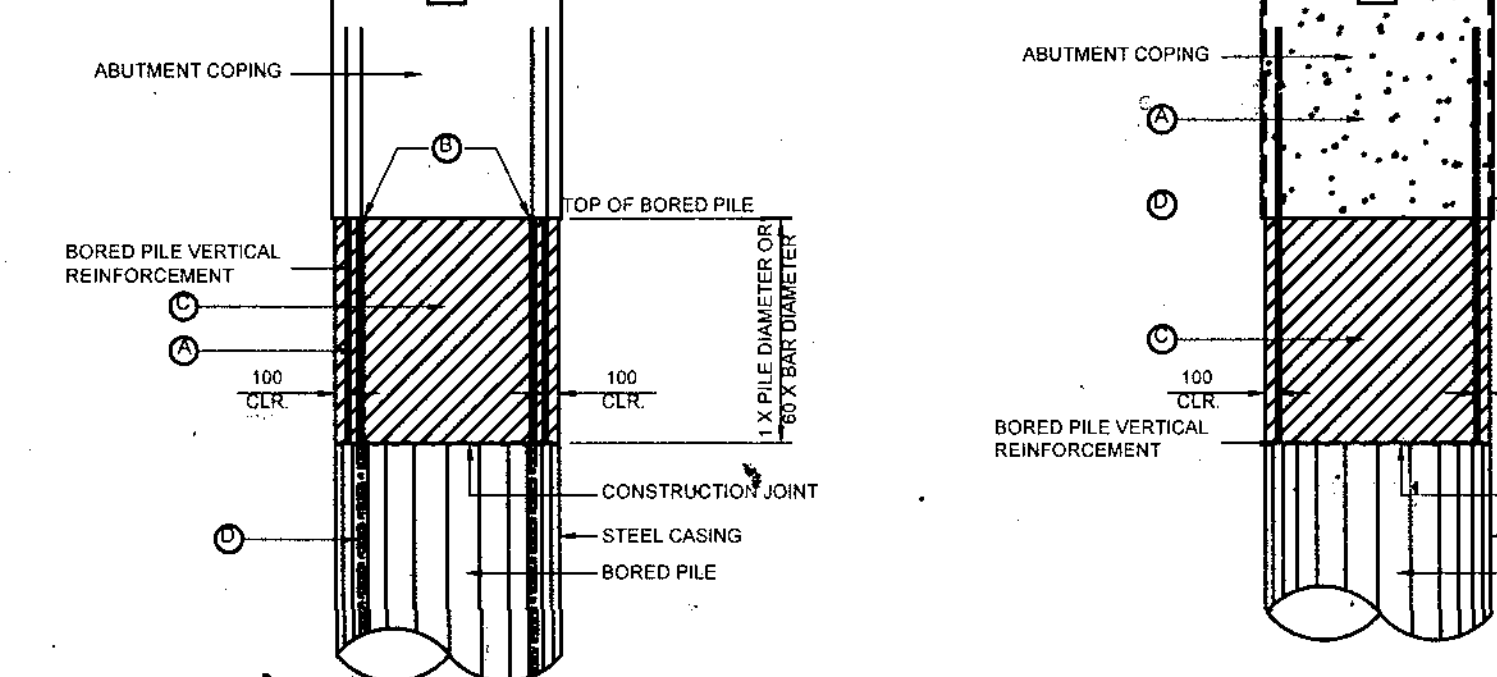
STRUCTURE COMPONENT	BORED PILE DIAMETER (m)	CONCRETE VOLUME (m ³)	MARK	SIZE (mm Ø)	QTY.	SPACING (mm)	SHAPE	REINFORCEMENT BAR DIMENSIONS (mm)				LENGTH PER BAR (m)	LAP LENGTH (m)	TOTAL LENGTHBAR (m)	TOTAL LENGTH (m)	UNIT WEIGHT (kg/m)	TOTAL WEIGHT (kg)	
								a	b	c	d							
BORED PILE	1200	33.93	B1	38	14	AS SHOWN	Ø	20,850	300	-	-	21,150	2.16	23,340	325.76	7.991	2,611	
			B2	36	21	AS SHOWN	Ø	30,880	300	-	-	31,180	4.32	35,500	745.50	7.991	5,957	
			B3	18	1	AS SHOWN	Ø	800	50	-	-	1,049.751	90.24	1,139.991	1,139.99	1.579	1,800	
			B4	16	1	AS SHOWN	Ø	800	100	-	-	251.526	21.12	272.646	272.65	1.579	431	
			B5	20	40	AS SHOWN	Ø	150	160	200	-	0.920	0.920	32.80	32.80	2.466	81	
			B6	25	40	AS SHOWN	Ø	100	50	100	-	0.400	0.400	16.00	16.00	3.854	62	
			B7	25	10	AS SHOWN	Ø	900	-	-	-	2.827	2.827	28.27	28.27	3.854	109	
			B8	25	30	AS SHOWN	Ø	1,000	-	-	-	3.142	3.142	94.25	94.25	3.854	363	
			SUB-TOTAL															11,414
			GRADE 60															2,231
GRADE 40															9,183			

COLUMN AND BORED PILE SCHEDULE

MARK	COLUMN DIAMETER (mm)	COLUMN LENGTH (mm)	BORED PILE LENGTH (mm)	BORED PILE DIMENSION (mm)	PILE TOE ELEVATION (m)	P _u AXIAL LOAD (kN)
ABUT 'A'	-	-	30,000	1,200	23.757	2,800
ABUT 'B'	-	-	30,000	1,200	23.757	2,800



7 SECTION OF BORED PILE SCALE 1:45
8 SECTION OF BORED PILE SCALE 1:45

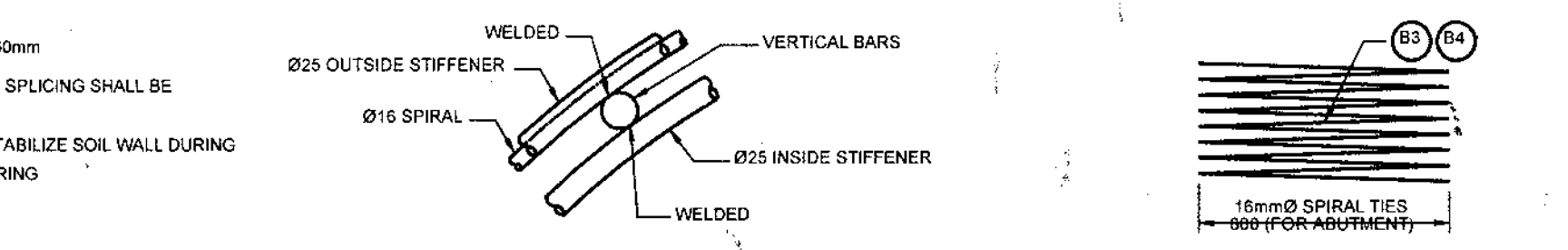


10 SEQUENCE FOR CROSS-HOLE SONIC LOGGING TEST SCALE 1:100
9 SEQUENCE FOR HIGH-STRAIN DYNAMIC TEST SCALE 1:100

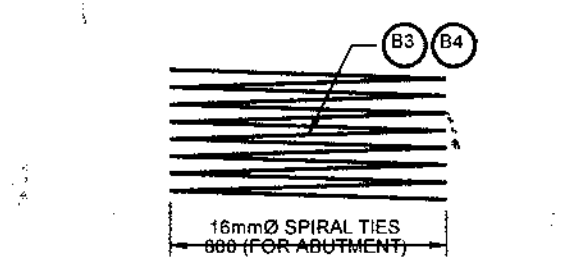
- NOTES:
- CONCRETE SHALL BE CAST IN ONE POURING FOR THE FULL LENGTH OF EACH PILE BY THE USE OF TREMIE. BOTTOM OF DRILLED HOLE SHALL BE CLEANED AND FREE OF DEBRIS OR ANY LOOSE MATERIALS BEFORE POURING OF CONCRETE.
 - THE SPLICING OF MAIN REINFORCING BAR SHALL BE 60 X BAR DIAMETER AND THE SEQUENCE OF PLACEMENT SHALL BE DONE ALTERNATELY, IT MAY BE BUNDLED OR NOT.
 - CONFINEMENT RING AND SPACERS EVERY 3000mm
 - CUT-OFF LENGTH 850mm
 - LAP SPLICE FOR SPIRAL MIN. 950mm
 - SPIRAL PITCH AT LOCATION OF SPLICING SHALL BE AT MAXIMUM OF 75mm
 - USE BENTONITE SLURRY TO STABILIZE SOIL WALL DURING DRILLING AND CONCRETE POURING

- MATERIALS
- CONCRETE SHALL BE CLASS 'A' WITH 10x14MPa (4000psi) AT 28 DAYS AND WITH 20mm MAXIMUM COARSE AGGREGATE. REINFORCING STEEL BARS SHALL BE GRADE 60 (fy=414MPa), DEFORMED TYPE

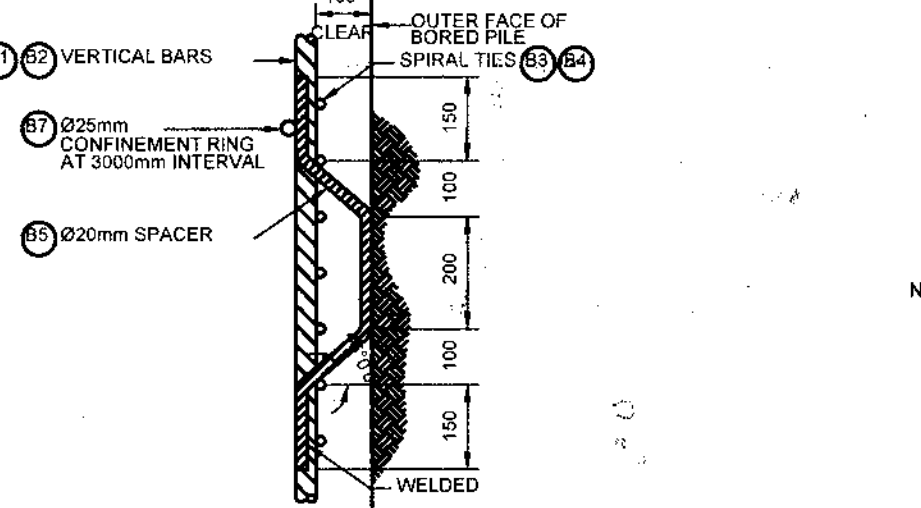
TEST PILE PREPARATION
PILES INTENDED FOR SONIC LOGGING TEST ARE INSTALLED WITH 50mm INSIDE DIAMETER G.I. PIPE ACCESS TUBES AT QUADRANT LOCATION. MINIMUM THICKNESS OF THE TUBE IS ABOUT 5mm. THESE TUBES ARE PRELAPPED AS ATTACHED TO THE REINFORCING CAGE PRIOR TO CONCRETING. THE TUBES ARE INSTALLED CONTINUOUSLY FROM BOTTOM TO THE TOP OF THE PILE AND PARALLEL TO EACH OTHER. THE BOTTOM ENDS OF THE TUBES ARE PROVIDED WITH SEALED CAP OR PLUGGED TO AVOID INTRUSION AND CONTAMINATION OF CONCRETE DURING POURING AND VIBRATION. THE TUBES ARE FITTED WITH ROBUST COUPLINGS FOR EXTENSION TO ENSURE THAT THEY REMAIN WATERTIGHT AND TO PREVENT SLURRY AND GROUT INGRESS DURING POURING AND CURING OF THE CONCRETE. THE TOP OF THE TUBES ARE PLUGGED OR SECURED TO PREVENT ENTRY OF FOREIGN OBJECTS, WHICH COULD BLOCK THE TUBES PRIOR TO TESTING.



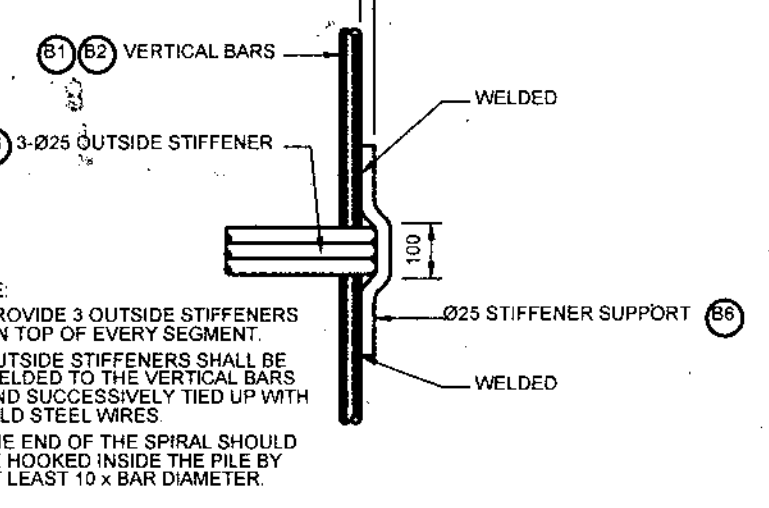
2 BLOW-UP DETAIL SCALE 1:10



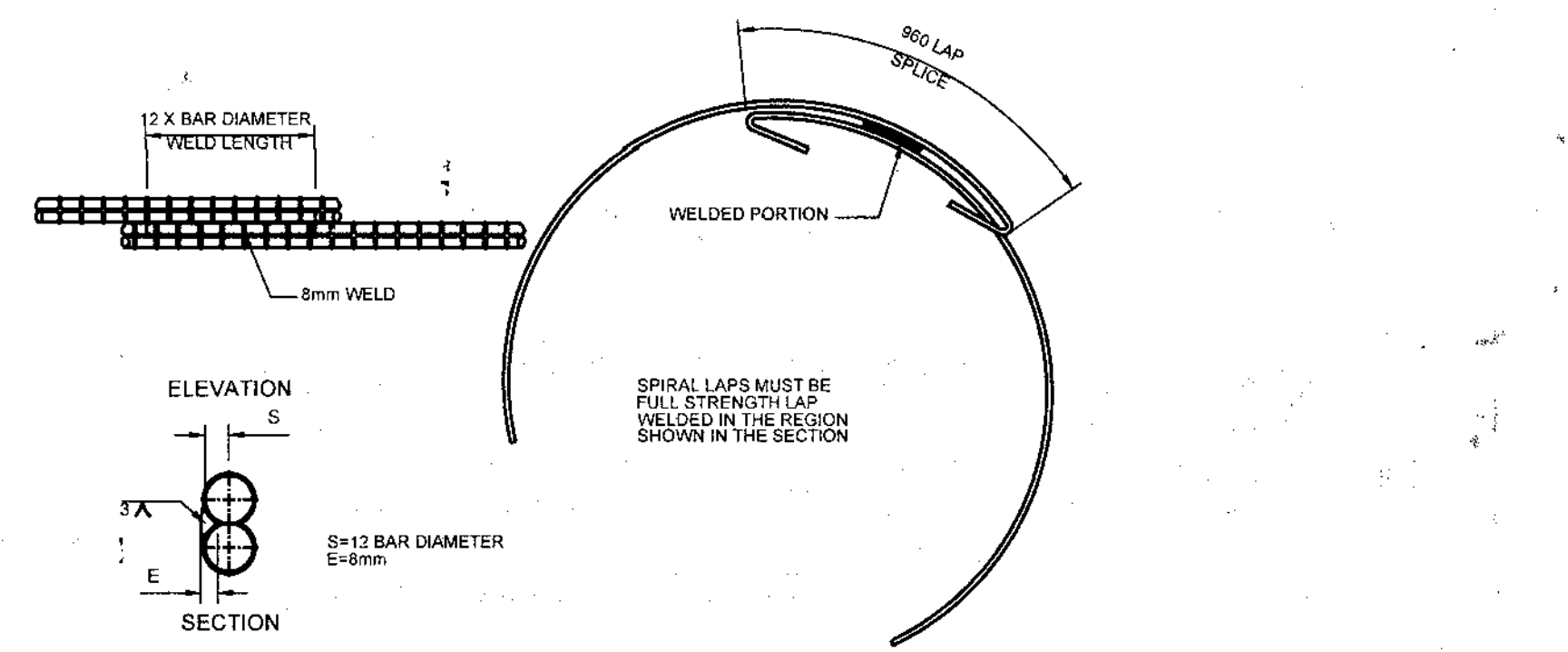
3 16mmØ SPIRAL TIES SCALE 1:100



6 DETAIL OF SPACER SCALE 1:20



4 DETAIL OF STIFFENER SUPPORT SCALE 1:20

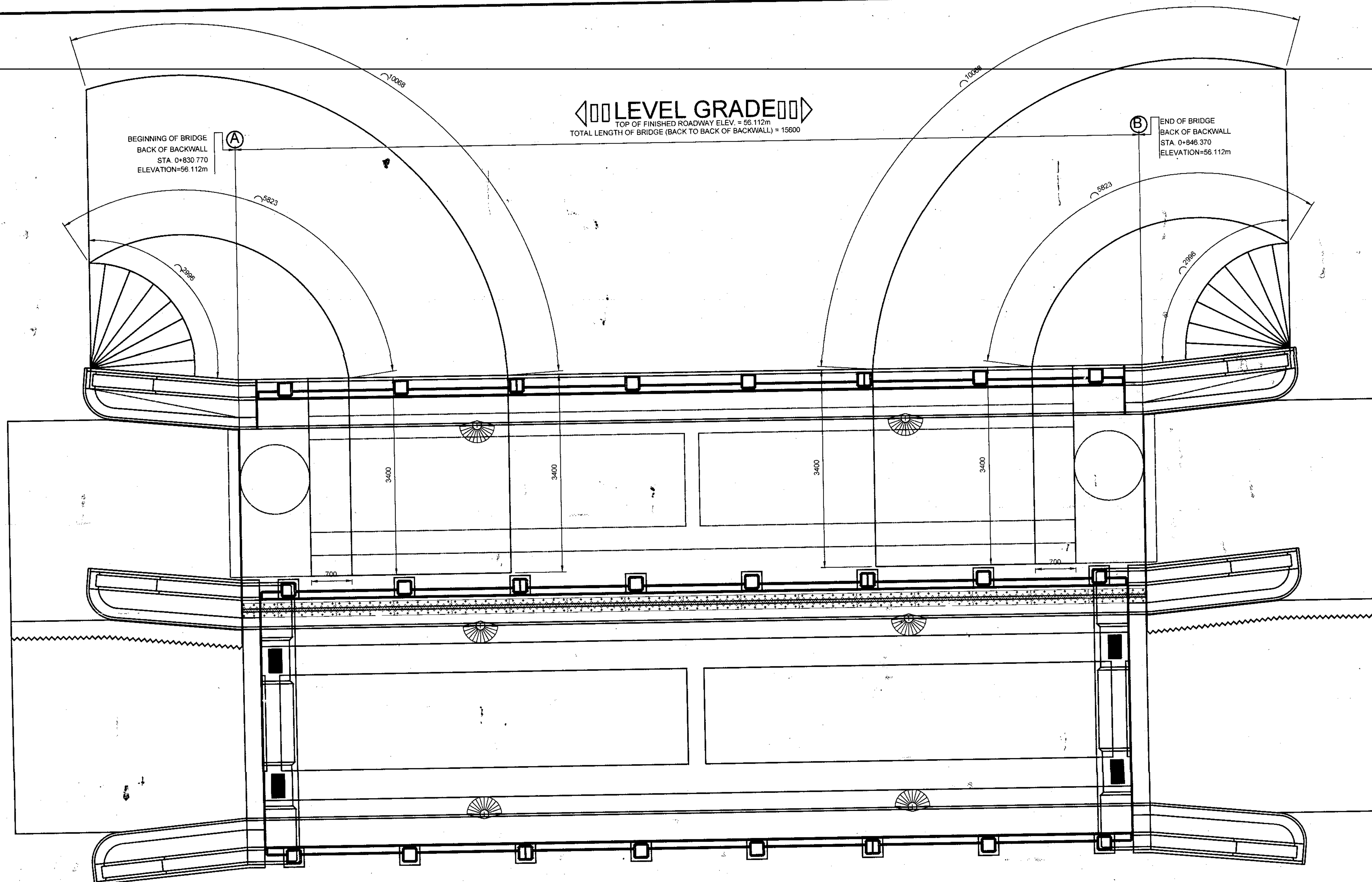


5 WELDED SPIRAL TIE SPLICE DETAIL SCALE 1:20

RPC NO OBJECTION

TUNA, ABRAHAM JR. T
SEND 13-0102919-A

	REPUBLIC OF THE PHILIPPINES DEPARTMENT OF AGRICULTURE "PHILIPPINE RURAL DEVELOPMENT PROJECT SCALE UP" PROVINCE OF DAVAO DE ORO MUNICIPALITY OF MONTEVISTA & NABUNTURAN	PROJECT NO.: PRDP-SU-IB-R011-DDO-004-000-000-2023-FMB	PREPARED BY: EDWIN S. SALUDES PLANNING & DESIGN DIVISION CHIEF	DESIGNED BY: RONNIE S. APARRI ENGINEER II	CHECKED & REVIEWED BY: RODERICK M. DIGAMON PROVINCIAL ENGINEER	RECOMMENDING APPROVAL: ALICIA M. GRACIADAS CO-PPMIU	APPROVED: DOROTHY P. MONTEJO-GONZAGA GOVERNOR	SHEET CONTENTS: AS STATED	SHEET NO. 42 / 78
	SUBPROJECT TITLE: REHABILITATION OF NEW VISAYAS - BANAGBANAG, MONTEVISTA TO MAGADING, NABUNTURAN ROAD WITH EXPANSION OF EXISTING BRIDGE	LOCATION: MONTEVISTA AND NABUNTURAN, DAVAO DE ORO							

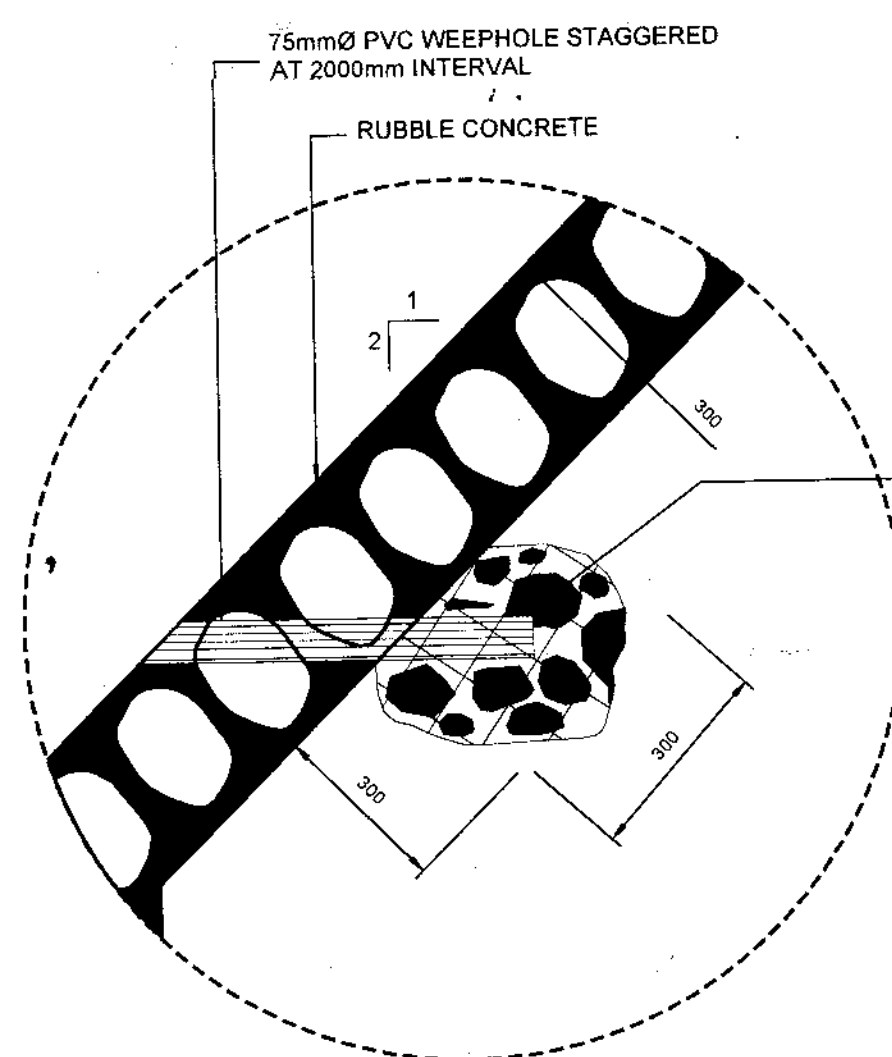


1 GENERAL PLAN
DNTS

RPC NO OBJECTION
SIGNATURE: *[Signature]*

TINA, ABRAHAM JR. T.
SKAD 17-0102/14 -A

	PROJECT NO.: PRDP-SU-IB-R011-DDO-004-000-000-2023-FMB	PREPARED BY: <i>[Signature]</i> EDWIN S. SALUDES PLANNING & DESIGN DIVISION CHIEF	DESIGNED BY: <i>[Signature]</i> RONNIE S. APARRI ENGINEER II	CHECKED & REVIEWED BY: <i>[Signature]</i> RODERICK M. DIGAMON PROVINCIAL ENGINEER	RECOMMENDING APPROVAL: <i>[Signature]</i> ALICIA M. GRACIADAS CS-PPMIU	APPROVED: <i>[Signature]</i> DOROTHY P. MONTEJO GONZAGA GOVERNOR	SHEET CONTENTS: AS STATED	SHEET NO. 43 78
	REPUBLIC OF THE PHILIPPINES DEPARTMENT OF AGRICULTURE "PHILIPPINE RURAL DEVELOPMENT PROJECT SCALE UP" PROVINCE OF DAVAO DE ORO MUNICIPALITY OF MONTEVISTA & NABUNTURAN	SUBPROJECT TITLE: REHABILITATION OF NEW VISAYAS - BANAGBANAG, MONTEVISTA TO MAGADING, NABUNTURAN ROAD WITH EXPANSION OF EXISTING BRIDGE	LOCATION: MONTEVISTA AND NABUNTURAN, DAVAO DE ORO					

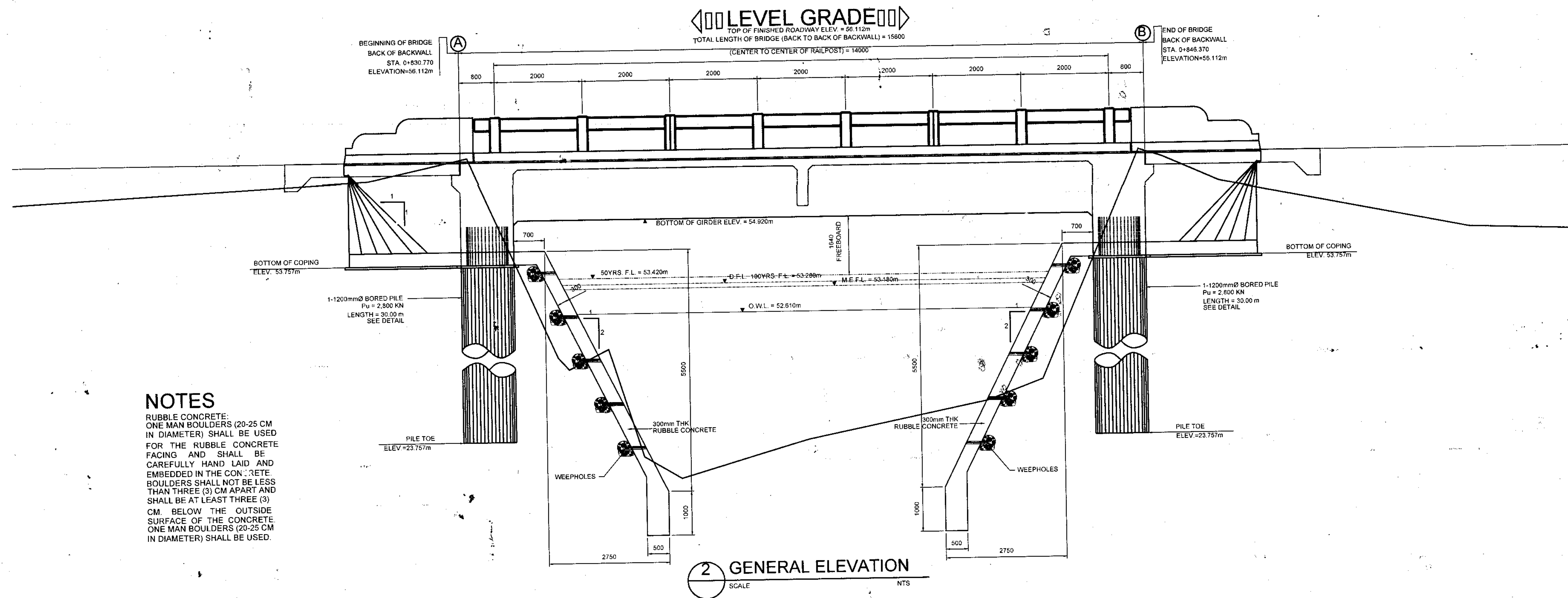


3 WEEPHOLE DETAIL
SCALE NTS

GRADED GRAVEL WITH THE LARGER ONES PLACED ADJACENT TO THE HOLES AS SHOWN

NOTES

RUBBLE CONCRETE: ONE MAN BOULDERS (20-25 CM IN DIAMETER) SHALL BE USED FOR THE RUBBLE CONCRETE FACING AND SHALL BE CAREFULLY HAND LAID AND EMBEDDED IN THE CONCRETE. BOULDERS SHALL NOT BE LESS THAN THREE (3) CM APART AND SHALL BE AT LEAST THREE (3) CM BELOW THE OUTSIDE SURFACE OF THE CONCRETE. ONE MAN BOULDERS (20-25 CM IN DIAMETER) SHALL BE USED.

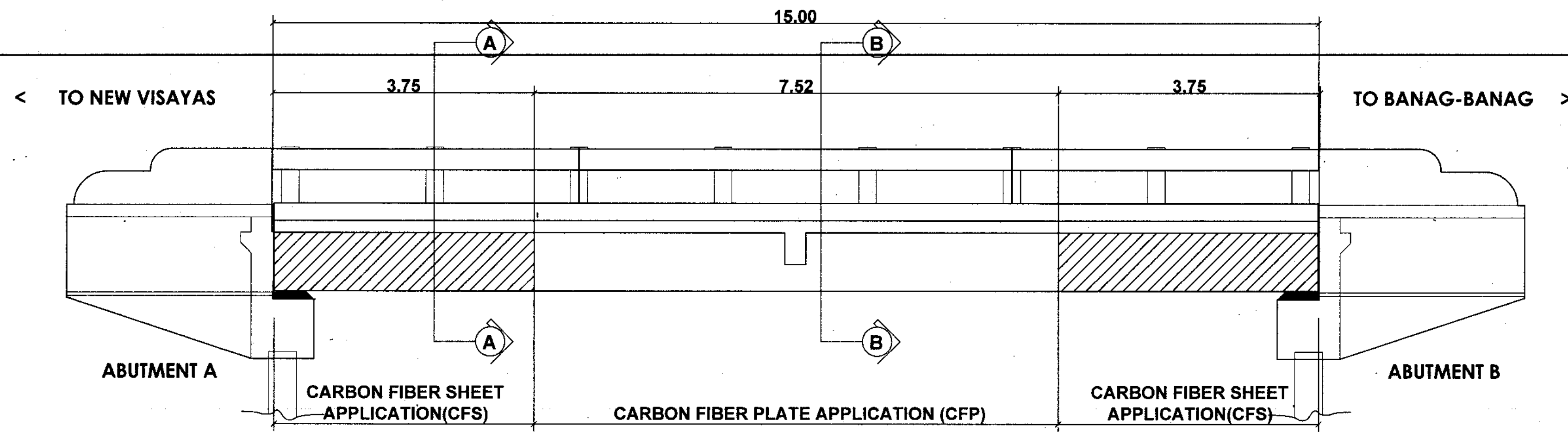


2 GENERAL ELEVATION
SCALE NTS

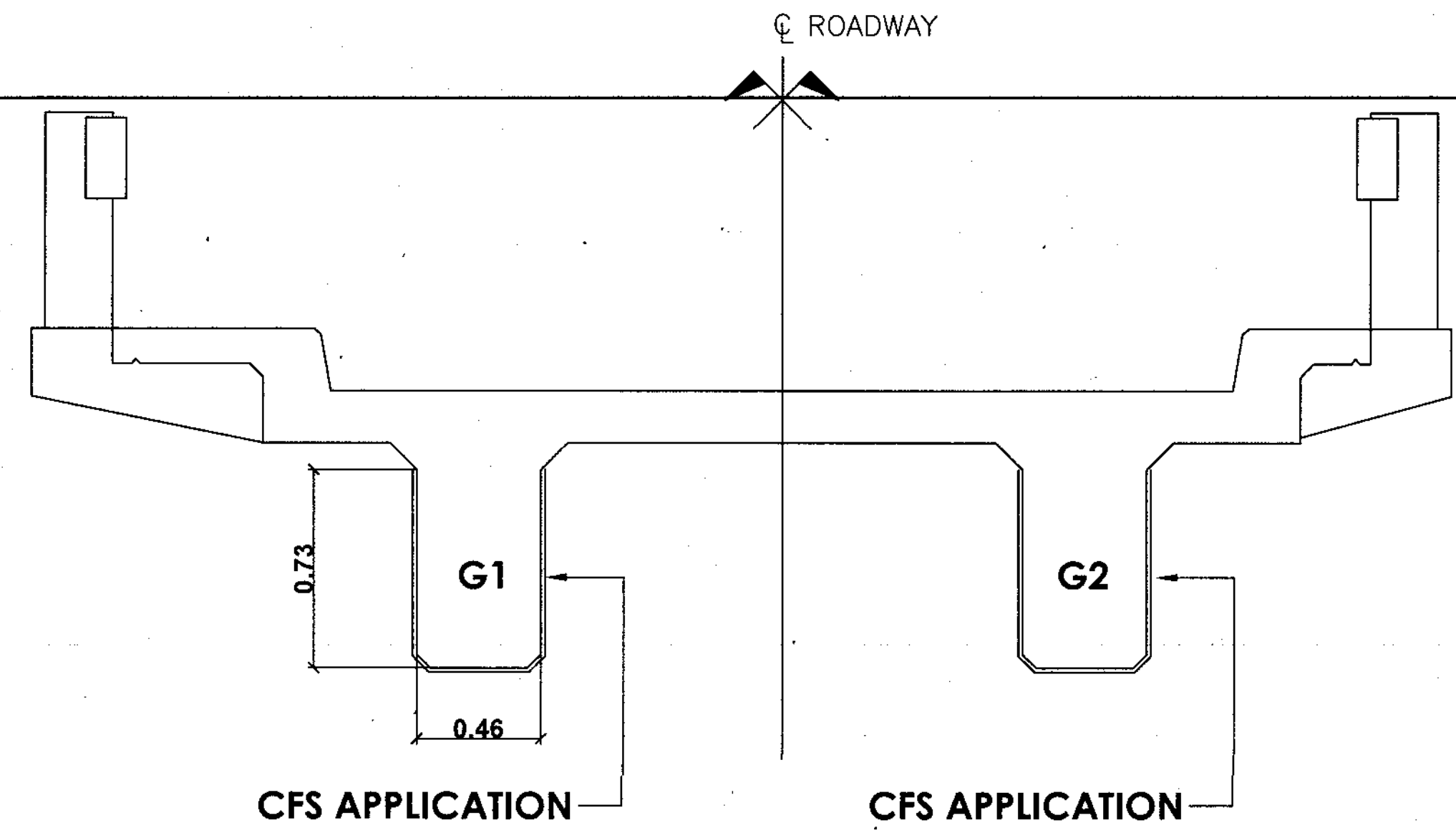
TUNA, ABRAHAM JR. T.
Seno 17-0102914 -A

RPC NO OBJECTION

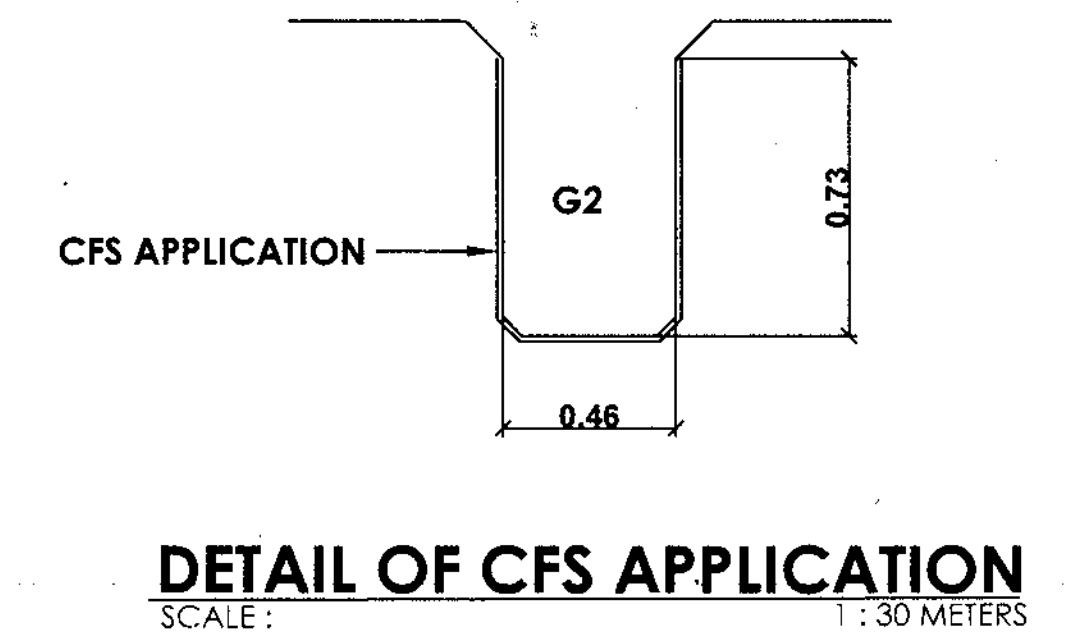
	PROJECT NO.: PRDP-SU-IB-R011-DDO-004-000-000-2023-FMB	PREPARED BY: EDWIN S. SALUDES <small>PLANNING & DESIGN DIVISION CHIEF</small>	DESIGNED BY: RONNIE S. APARRI <small>ENGINEER II</small>	CHECKED & REVIEWED BY: RODERICK M. DIGAMON <small>PROVINCIAL ENGINEER</small>	RECOMMENDING APPROVAL: ALICIA M. GRACIADAS <small>CO-PPMIU</small>	APPROVED: DOROTHY P. MONTEVISTA GONZAGA <small>GOVERNOR</small>	SHEET CONTENTS: AS STATED	SHEET NO. 44 / 78
	SUBPROJECT TITLE: REHABILITATION OF NEW VISAYAS - BANAGBANAG, MONTEVISTA TO MAGADING, NABUNTURAN ROAD WITH EXPANSION OF EXISTING BRIDGE	LOCATION: MONTEVISTA AND NABUNTURAN, DAVAO DE ORO	MUNICIPALITY OF MONTEVISTA & NABUNTURAN					



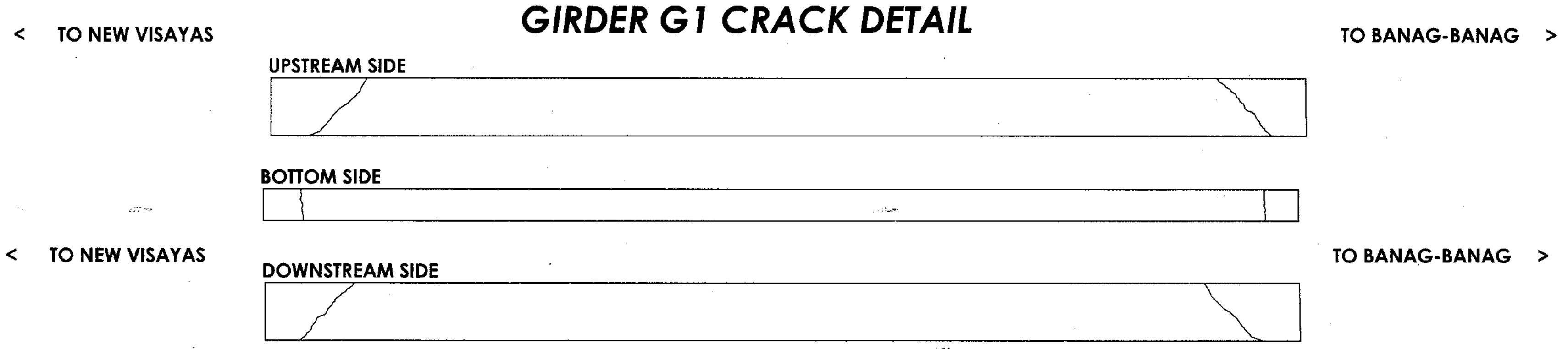
BRIDGE ELEVATION
(SHOWING COVERAGE OF CFS & CFP APPLICATION)
 SCALE: 1 : 100 METERS



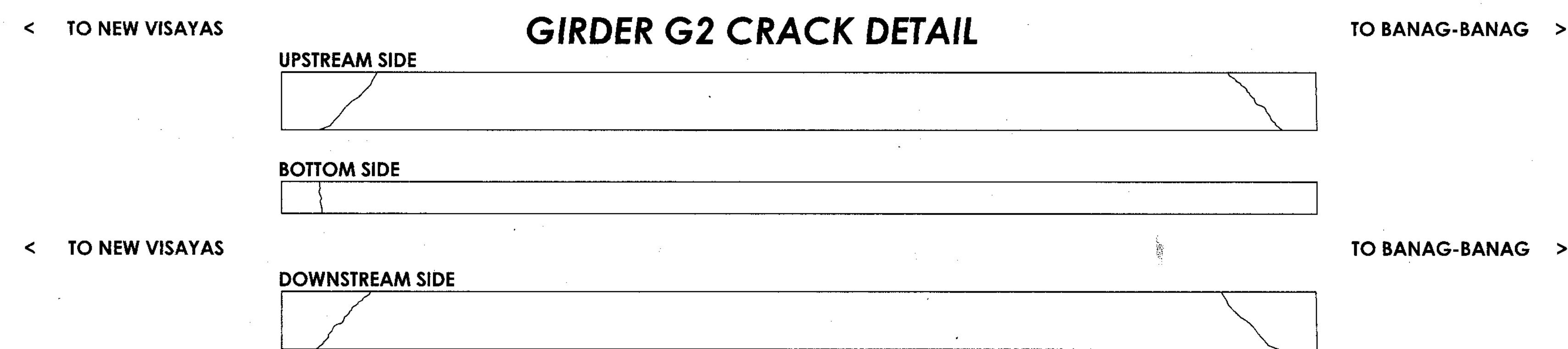
SECTION THRU A-A
 SCALE: 1 : 40 METERS



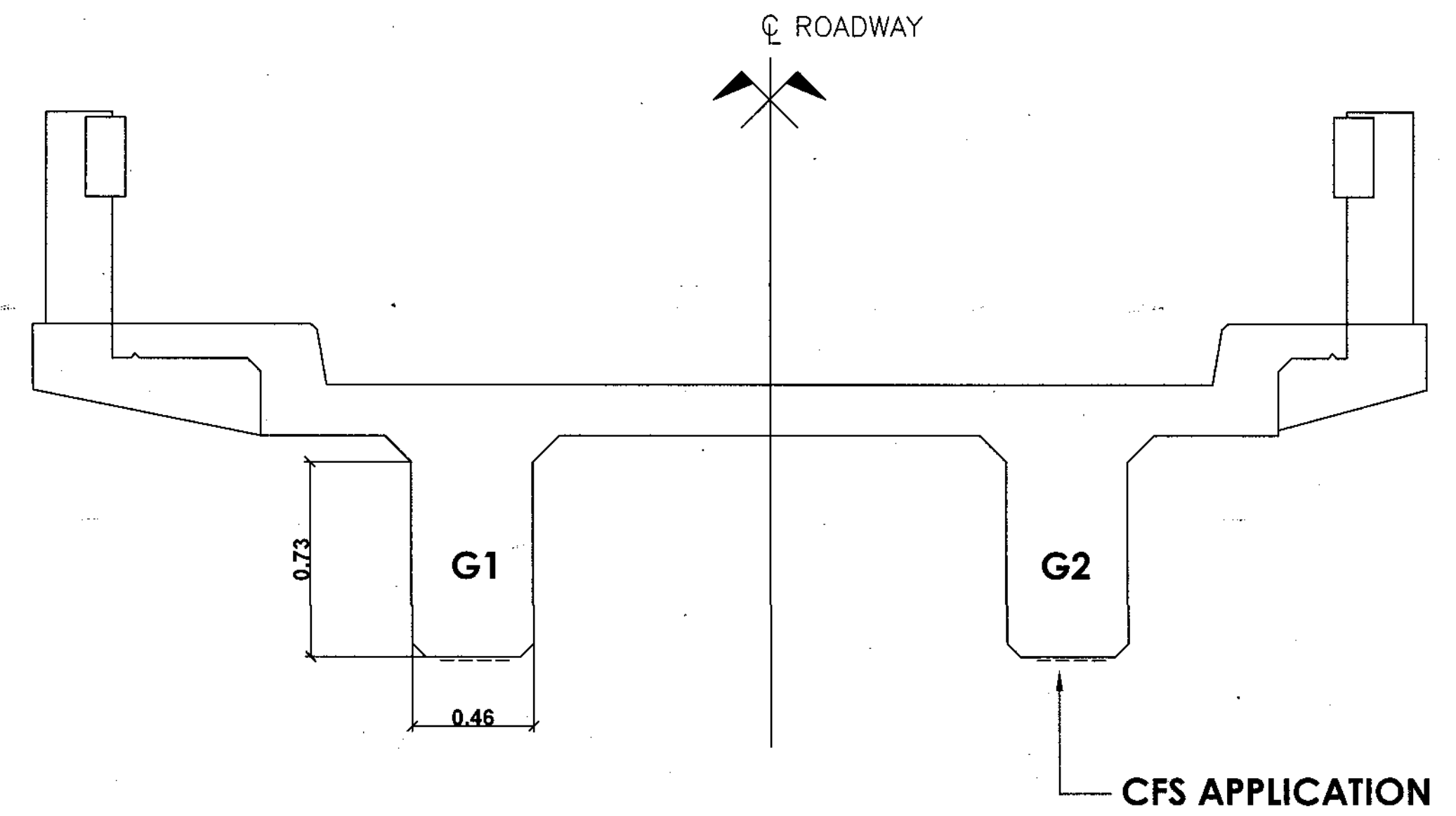
DETAIL OF CFS APPLICATION
 SCALE: 1 : 30 METERS



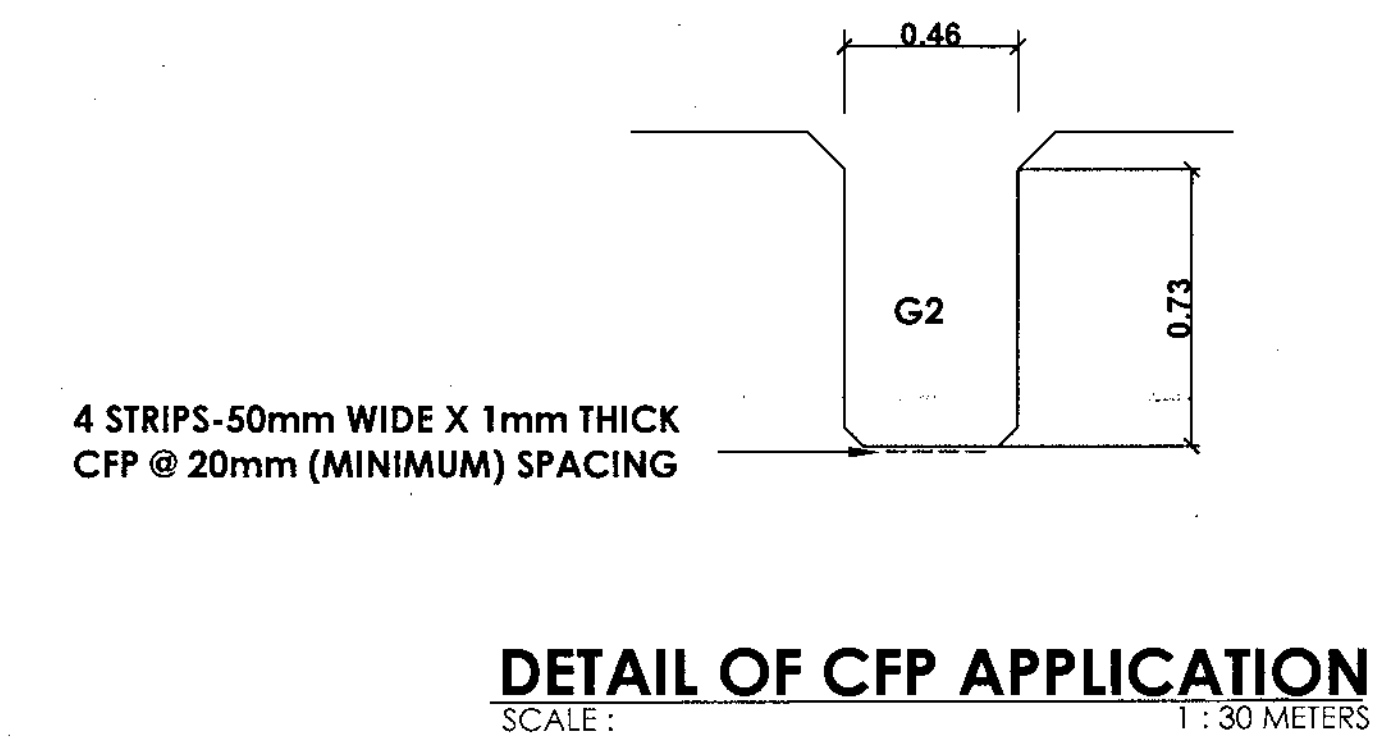
GIRDER G1 CRACK DETAIL



GIRDER G2 CRACK DETAIL



SECTION THRU B-B
 SCALE: 1 : 40 METERS

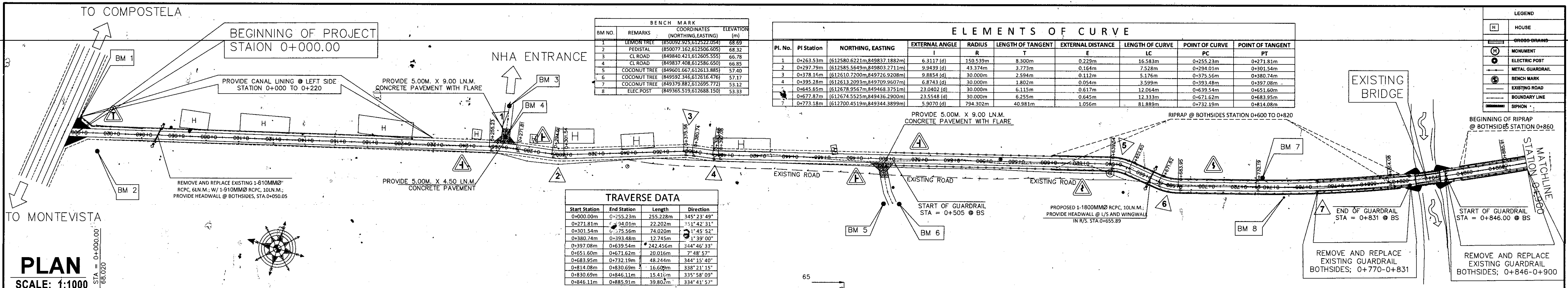


4 STRIPS-50mm WIDE X 1mm THICK
 CFP @ 20mm (MINIMUM) SPACING

DETAIL OF CFP APPLICATION
 SCALE: 1 : 30 METERS

TWA, ABRAMON JR. T
 SEND 17-01-2019 - A

	REPUBLIC OF THE PHILIPPINES DEPARTMENT OF AGRICULTURE "PHILIPPINE RURAL DEVELOPMENT PROJECT SCALE UP" PROVINCE OF DAVAO DE ORO	PROJECT NO.: PRDP-SU-IB-R011-DDO-004-000-000-2023-FMB SUBPROJECT TITLE:	PREPARED BY: EDWIN S. SALUDES PLANNING & DESIGN DIVISION CHIEF	DESIGNED BY: RONNIE S. APARRI ENGINEER II	CHECKED & REVIEWED BY: RODERICK M. DIGAMON PROVINCIAL ENGINEER	RECOMMENDING APPROVAL: ALICIA M. GRACIAS CS-PPMIU	APPROVED: DOROTHY P. MONTEJO GONZAGA GOVERNOR	SHEET NO. 45 NO OBJECTION AS STATED	SHEET NO. 78
	MUNICIPALITY OF MONTEVISTA & NABUNTURAN	LOCATION: MONTEVISTA AND NABUNTURAN, DAVAO DE ORO	REHABILITATION OF NEW VISAYAS - BANAGBANAG, MONTEVISTA TO MAGADING, NABUNTURAN ROAD WITH EXPANSION OF EXISTING BRIDGE						



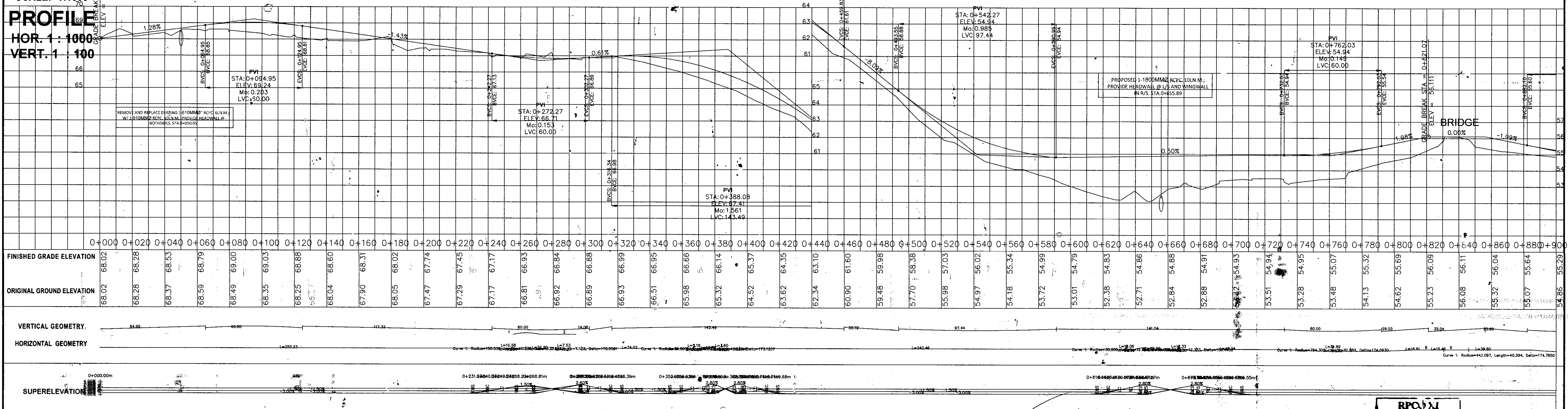
BM NO.	REMARKS	COORDINATES (NORTHING, EASTING)	ELEVATION (m)
1	LEMON TREE	(850092.925, 612522.054)	68.69
2	PEDISTAL	(850077.162, 612506.605)	68.32
3	CL ROAD	(849840.421, 612605.555)	68.78
4	CL ROAD	(849837.408, 612586.650)	68.85
5	COCONUT TREE	(849601.667, 612613.885)	57.40
6	COCONUT TREE	(849592.346, 612616.476)	57.17
7	COCONUT TREE	(849379.882, 612695.772)	53.12
8	ELEC. POST	(849365.519, 612688.150)	53.33

PI. No.	PI Station	NORTHING, EASTING	EXTERNAL ANGLE		RADIUS	LENGTH OF TANGENT	EXTERNAL DISTANCE	LENGTH OF CURVE	POINT OF CURVE		POINT OF TANGENT
			I	R					PC	PT	
1	0+263.53m	(612580.622, 612498.371)	6.3117 (d)	150.539m	8.300m	0.229m	16.583m	0+255.23m	0+271.81m	0+301.54m	
2	0+297.79m	(612585.564, 612498.371)	9.9439 (d)	43.374m	3.773m	0.164m	7.528m	0+294.01m	0+300.74m	0+380.74m	
3	0+378.16m	(612610.720, 612498.371)	9.8854 (d)	30.000m	2.594m	0.112m	5.176m	0+375.56m	0+379.48m	0+397.08m	
4	0+395.28m	(612613.209, 612498.371)	6.8743 (d)	30.000m	1.802m	0.054m	3.599m	0+393.48m	0+397.08m	0+461.60m	
5	0+645.65m	(612678.956, 612498.371)	23.0402 (d)	30.000m	6.115m	0.617m	12.064m	0+639.54m	0+671.62m	0+683.95m	
6	0+677.87m	(612674.552, 612498.371)	23.5548 (d)	30.000m	6.255m	0.645m	12.333m	0+671.62m	0+673.19m	0+814.08m	
7	0+773.18m	(612700.451, 612498.371)	5.9070 (d)	794.302m	40.981m	1.056m	81.889m	0+732.19m			

Start Station	End Station	Length	Direction
0+000.00m	0+255.23m	255.228m	345° 23' 49"
0+271.81m	0+301.54m	29.731m	351° 42' 31"
0+301.54m	0+393.48m	91.940m	1° 45' 52"
0+393.48m	0+461.60m	68.121m	1° 39' 00"
0+461.60m	0+671.62m	210.020m	7° 28' 57"
0+671.62m	0+732.19m	60.570m	344° 15' 40"
0+732.19m	0+814.08m	81.889m	338° 21' 15"
0+814.08m	0+846.11m	32.030m	335° 58' 09"
0+846.11m	0+885.91m	39.800m	334° 41' 57"

PLAN
SCALE: 1:1000

PROFILE
HOR. 1:1000
VERT. 1:100



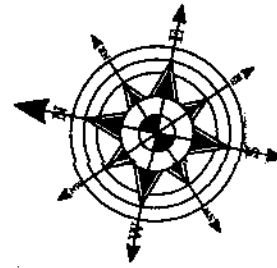
LEGEND	
[H]	HOUSE
[M]	CROSS-DRAWN
[C]	MONUMENT
[E]	ELECTRIC POST
[G]	METAL GUARDRAIL
[B]	BENCH MARK
[R]	EXISTING ROAD
[S]	BOUNDARY LINE
[D]	SIPHON

	REPUBLIC OF THE PHILIPPINES DEPARTMENT OF AGRICULTURE "PHILIPPINE RURAL DEVELOPMENT PROJECT SCALE UP" PROVINCE OF DAVAO DE ORO MUNICIPALITY OF MONTEVISTA & NABUNTURAN	PROJECT NO.: PRDP-SU-IB-R011-DDO-004-000-000-2023-FMB SUBPROJECT TITLE: REHABILITATION OF NEW VISAYAS - BANAGBANAG, MONTEVISTA TO MAGADING, NABUNTURAN ROAD WITH EXPANSION OF EXISTING BRIDGE LOCATION: MONTEVISTA AND NABUNTURAN, DAVAO DE ORO	PREPARED BY: EDWIN S. SALUIDES PLANNING & DESIGN DIVISION CHIEF	DESIGNED BY: RONNIE S. APARRI ENGINEER II	CHECKED & REVIEWED BY: RODERICK M. DIGAMON PROVINCIAL ENGINEER	RECOMMENDING APPROVAL: ALICIA M. GRACIAS PPMIU	APPROVED: DOROTHY P. MONTEGONZAGA GOVERNOR	SHEET NO. 46 PLAN AND PROFILE	SHEET NO. 78
	NO OBJECTION SIGNATURE: _____ TITLE: _____ DATE: _____								

LEGEND	
[H]	HOUSE
[C]	CROSS DRAINS
[M]	MONUMENT
[E]	ELECTRIC POST
[G]	METAL GUARDRAIL
[B]	BENCH MARK
[R]	EXISTING ROAD
[L]	BOUNDARY LINE
[S]	SIPHON

STATION 0+600
MATCHLINE

BM NO.	REMARKS	BENCH MARK COORDINATES (NORTHING, EASTING)	ELEVATION (m)
9	COCONUT TREE	(849093.153, 612831.411)	53.43
10	COCONUT TREE	(849067.153, 612842.342)	53.72
11	SANTOL TREE	(848908.137, 612872.928)	54.33
12	KAMANSI TREE	(848912.451, 612891.487)	54.11
13	PUROK POST	(848679.468, 612936.121)	55.06
14	GEMILINA TREE	(848669.325, 612935.992)	55.15
15	COCONUT TREE	(848483.279, 612970.136)	55.43
16	BINUNGA TREE	(848455.440, 612981.321)	55.46



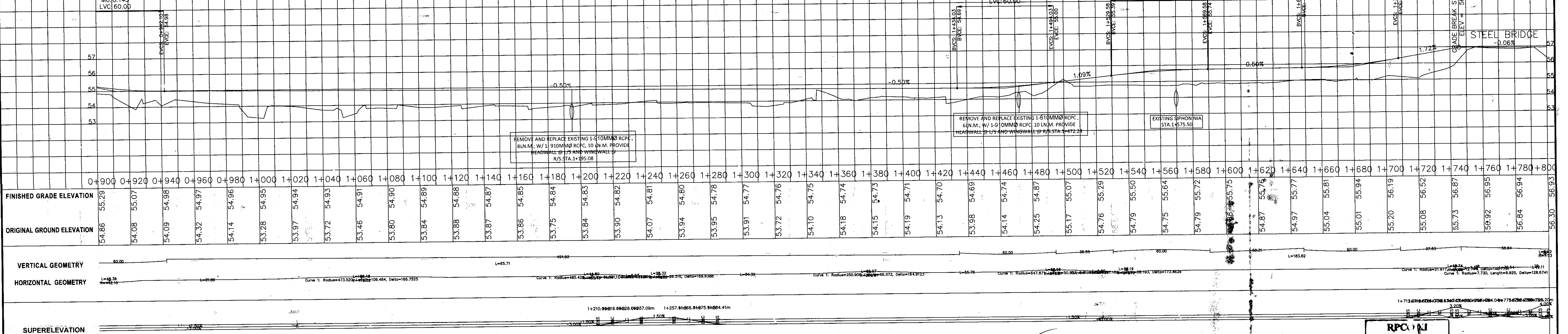
PLAN

SCALE: 1:1000

PROFILE

HOR. 1:1000

VERT. 1:100



TRAVERSE DATA			
Start Station	End Station	Length	Direction
0+926.30m	1+008.17m	81.864m	329° 27' 51"
1+117.65m	1+183.36m	65.710m	342° 42' 42"
1+228.16m	1+234.09m	5.926m	347° 59' 59"
1+260.41m	1+344.79m	84.387m	337° 56' 19"
1+410.86m	1+466.63m	55.764m	353° 01' 35"
1+517.59m	1+523.38m	5.797m	357° 31' 58"
1+551.57m	1+735.40m	183.824m	350° 59' 41"
1+748.14m	1+755.52m	7.379m	24° 13' 14"
1+755.52m	1+792.16m	36.643m	27° 01' 19"
1+792.16m	1+794.28m	2.111m	21° 56' 04"

ELEMENTS OF CURVE									
PI. No.	PI Station	NORTHING, EASTING	EXTERNAL ANGLE	RADIUS	LENGTH OF TANGENT	EXTERNAL DISTANCE	LENGTH OF CURVE	POINT OF CURVE	POINT OF TANGENT
8	0+906.12m	(612753.6204m, 849222.5251m)	5.2350 (d)	442.097m	20.211m	0.462m	40.394m	0+885.91m	0+926.30m
9	1+063.16m	(612833.4197m, 849082.2458m)	13.2475 (d)	473.520m	54.987m	3.182m	109.484m	1+008.17m	1+117.65m
10	1+205.78m	(612875.9501m, 848950.5978m)	5.2880 (d)	485.428m	22.417m	0.517m	44.801m	1+183.36m	1+228.16m
11	1+247.28m	(612884.5857m, 848950.9713m)	10.0612 (d)	149.862m	13.192m	0.579m	26.316m	1+234.09m	1+260.41m
12	1+378.02m	(612933.7169m, 848788.7418m)	15.0877 (d)	250.908m	33.228m	2.191m	66.072m	1+344.79m	1+410.86m
13	1+492.12m	(612947.6168m, 848675.1052m)	4.5065 (d)	647.871m	25.492m	0.501m	50.957m	1+466.63m	1+517.59m
14	1+537.49m	(612949.5712m, 848629.7469m)	6.5371 (d)	247.102m	14.112m	0.403m	28.193m	1+523.38m	1+551.57m
15	1+741.96m	(612981.5760m, 848427.7742m)	33.2249 (d)	30.000m	6.115m	0.617m	12.064m	1+735.40m	1+748.14m
16	1+797.99m	(612959.9430m, 848375.6918m)	51.3258 (d)	30.000m	1.802m	0.054m	3.599m	1+794.28m	1+801.20m

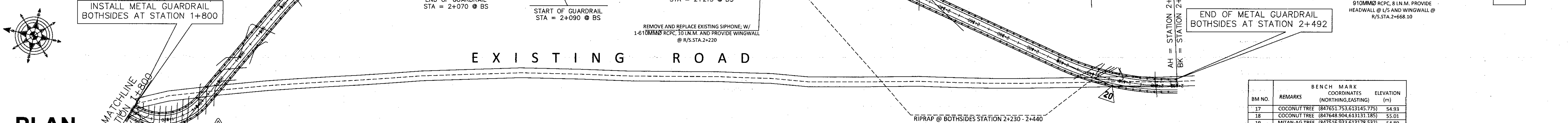
	REPUBLIC OF THE PHILIPPINES DEPARTMENT OF AGRICULTURE "PHILIPPINE RURAL DEVELOPMENT PROJECT SCALE UP" PROVINCE OF DAVAO DE ORO MUNICIPALITY OF MONTEVISTA & NABUNTURAN	PROJECT NO.: PRDP-SU-IB-R011-DDO-004-000-000-2023-FMB SUBPROJECT TITLE: REHABILITATION OF NEW VISAYAS - BANAGBANAG, MONTEVISTA TO MAGADING, NABUNTURAN ROAD WITH EXPANSION OF EXISTING BRIDGE LOCATION: MONTEVISTA AND NABUNTURAN, DAVAO DE ORO	PREPARED BY: EDWIN S. SALUDES PLANNING & DESIGN DIVISION CHIEF	DESIGNED BY: RONNIE S. APARRI ENGINEER II	CHECKED & REVIEWED BY: RODERICK M. DIGAMON PROVINCIAL ENGINEER	RECOMMENDING APPROVAL: ALICIA M. GRACIADAS CO-PPMIU	APPROVED: DOROTHY P. MONTEJO-GONZAGA GOVERNOR	SHEET CONTENTS: SIGNATURE PLAN AND PROFILE	SHEET NO. 47 78
--	---	---	---	--	---	--	--	--	--------------------

LEGEND

[Symbol]	HOUSE
[Symbol]	CROSS DRAINS
[Symbol]	MONUMENT
[Symbol]	ELECTRIC POST
[Symbol]	METAL GUARDRAIL
[Symbol]	BENCH MARK
[Symbol]	EXISTING ROAD
[Symbol]	BOUNDARY LINE
[Symbol]	SIPHON

TRAVERSE DATA

Start Station	End Station	Length	Direction
1+801.20m	1+817.16m	15.963m	330° 36' 31"
1+826.70m	1+857.27m	30.568m	340° 56' 17"
1+939.37m	2+022.28m	82.909m	344° 31' 40"
2+057.67m	2+092.97m	35.302m	349° 12' 40"
2+101.48m	2+106.13m	4.648m	346° 13' 50"
2+139.54m	2+220.59m	81.054m	340° 21' 10"
2+241.01m	2+431.96m	190.944m	347° 14' 19"
2+450.67m	2+452.63m	1.958m	343° 26' 52"
2+503.01m	2+522.40m	19.395m	350° 09' 55"
2+556.24m	2+734.78m	178.536m	345° 58' 06"



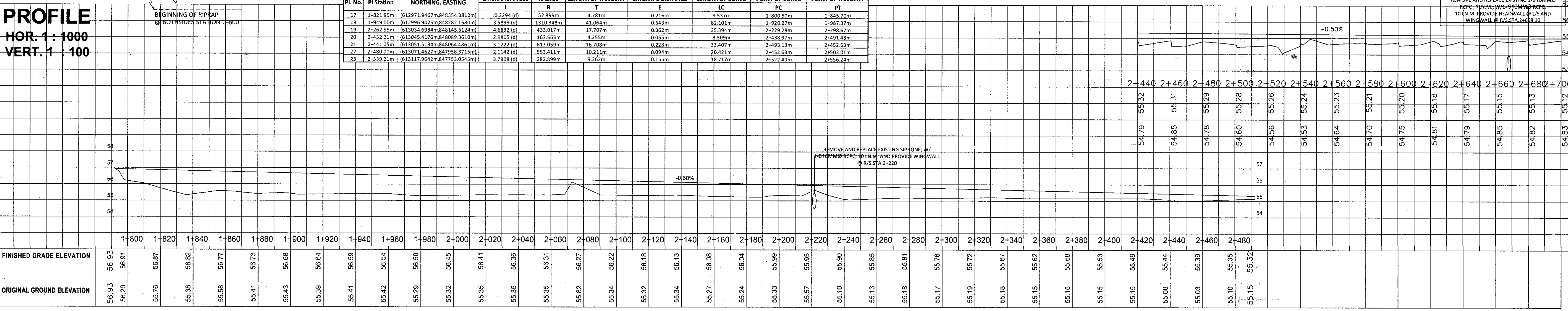
PROFILE
HOR. 1 : 1000
VERT. 1 : 100

ELEMENTS OF CURVE

PI. No.	PI Station	NORTHING, EASTING	EXTERNAL ANGLE		RADIUS	LENGTH OF TANGENT	EXTERNAL DISTANCE	LENGTH OF CURVE	POINT OF CURVE		POINT OF TANGENT
			I	R					PC	PT	
17	1+821.95m	(612971.9467m, 848354.3812m)	10.3294 (d)	52.899m	4.781m	0.216m	9.537m	1+800.50m	1+845.70m	1+845.70m	
18	1+949.00m	(612996.9025m, 848282.1580m)	3.5899 (d)	1310.348m	41.064m	0.643m	82.101m	1+920.27m	1+987.37m	1+987.37m	
19	2+262.55m	(613034.6984m, 848145.6124m)	4.6832 (d)	433.017m	17.707m	0.362m	35.394m	2+229.28m	2+298.67m	2+298.67m	
20	2+452.21m	(613045.4176m, 848089.3610m)	2.9805 (d)	163.565m	4.255m	0.055m	8.509m	2+438.97m	2+491.48m	2+491.48m	
21	2+441.05m	(613051.5134m, 848064.4861m)	3.1222 (d)	613.059m	16.708m	0.228m	33.407m	2+493.13m	2+452.63m	2+452.63m	
22	2+480.00m	(613071.4627m, 847958.3715m)	2.1142 (d)	553.411m	10.211m	0.094m	20.421m	2+452.63m	2+503.01m	2+503.01m	
23	2+539.21m	(613117.9642m, 847753.0545m)	3.7908 (d)	282.899m	9.367m	0.155m	18.717m	2+522.40m	2+556.24m	2+556.24m	

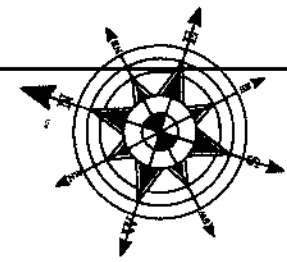
BENCH MARK COORDINATES

BM NO.	REMARKS	COORDINATES (NORTHING, EASTING)	ELEVATION (m)
17	COCONUT TREE	(847651.753, 613145.775)	54.93
18	COCONUT TREE	(847648.904, 613131.185)	55.01
19	MITAN-AG TREE	(847516.933, 613178.532)	54.89
20	TUBOG TREE	(847508.093, 613172.090)	54.89



Station	1+800	1+820	1+840	1+860	1+880	1+900	1+920	1+940	1+960	1+980	2+000	2+020	2+040	2+060	2+080	2+100	2+120	2+140	2+160	2+180	2+200	2+220	2+240	2+260	2+280	2+300	2+320	2+340	2+360	2+380	2+400	2+420	2+440	2+460	2+480		
FINISHED GRADE ELEVATION	56.93	56.91	56.87	56.82	56.77	56.73	56.68	56.64	56.59	56.54	56.50	56.45	56.41	56.36	56.31	56.27	56.22	56.18	56.13	56.08	56.04	55.99	55.95	55.90	55.85	55.81	55.76	55.72	55.67	55.62	55.58	55.53	55.49	55.44	55.39	55.35	55.32
ORIGINAL GROUND ELEVATION	56.93	56.20	55.76	55.38	55.58	55.41	55.43	55.39	55.41	55.42	55.29	55.32	55.35	55.35	55.62	55.34	55.32	55.34	55.27	55.24	55.33	55.57	55.10	55.13	55.18	55.17	55.19	55.18	55.15	55.15	55.08	55.03	55.10	55.15	55.15	55.15	

REPUBLIC OF THE PHILIPPINES DEPARTMENT OF AGRICULTURE "PHILIPPINE RURAL DEVELOPMENT PROJECT SCALE UP"		PROJECT NO.: PRDP-SU-IB-R011-DDO-004-000-000-2023-FMB	PREPARED BY: EDWIN S. SALUDES PLANNING & DESIGN DIVISION CHIEF	DESIGNED BY: RONNIE S. APARRI ENGINEER II	CHECKED & REVIEWED BY: RODERICK M. DIGAMON PROVINCIAL ENGINEER	RECOMMENDING APPROVAL: ALICIA M. GRACIADAS PPMIU	APPROVED: DOROTHY P. MONTE-GONZAGA GOVERNOR	SHEET NO. 48	SHEET NO. 78	
PROVINCE OF DAVAO DE ORO MUNICIPALITY OF MONTEVISTA & NABUNTURAN		LOCATION: MONTEVISTA AND NABUNTURAN, DAVAO DE ORO	SUBPROJECT TITLE: REHABILITATION OF NEW VISAYAS - BANAGBANAG, MONTEVISTA TO MAGADING, NABUNTURAN ROAD WITH EXPANSION OF EXISTING BRIDGE							

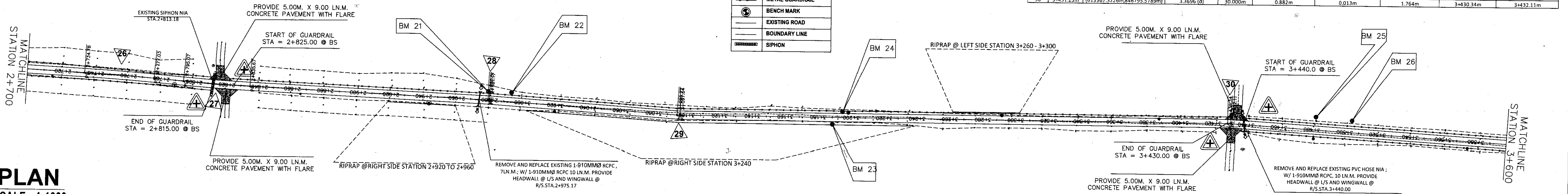


BM NO.	REMARKS	COORDINATES (NORTHING, EASTING)	ELEVATION (m)
21	COCONUT TREE	(847230.491, 613249.614)	55.32
22	COCONUT TREE	(847216.630, 613253.104)	55.34
23	COCONUT TREE	(847025.600, 613294.267)	56.10
24	BINUNGA TREE	(847021.571, 613303.227)	55.72
25	COCONUT TREE	(846746.613, 613387.134)	56.72
26	COCONUT TREE	(846724.991, 613391.599)	56.64

LEGEND	
[H]	HOUSE
[C]	CROSS DRAINS
[M]	MONUMENT
[E]	ELECTRIC POST
[G]	METAL GUARDRAIL
[B]	BENCH MARK
[S]	EXISTING ROAD
[D]	BOUNDARY LINE
[I]	SIPHON

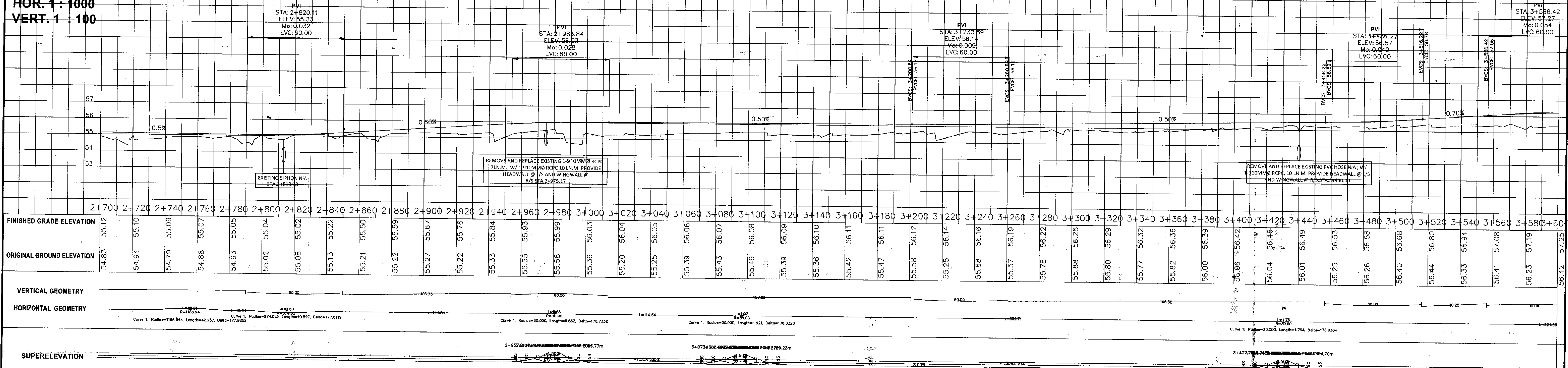
TRAVERSE DATA			
Start Station	End Station	Length	Direction
2+777.03m	2+795.07m	18.037m	348° 02' 35"
2+835.67m	2+980.51m	144.842m	345° 39' 18"
2+981.17m	3+095.72m	114.544m	346° 55' 19"
3+097.64m	3+430.34m	332.707m	343° 15' 14"
3+432.11m	3+756.96m	324.851m	346° 37' 24"

ELEMENTS OF CURVE									
PI No.	PI Station	NORTHING, EASTING	EXTERNAL ANGLE	RADIUS	LENGTH OF TANGENT	EXTERNAL DISTANCE	LENGTH OF CURVE	POINT OF CURVE	POINT OF TANGENT
26	2+755.91m	(613191.3989m, 847447.2661m)	2.0748 (d)	1166.944m	21.131m	0.191m	42.257m	2+734.78m	2+777.03m
27	2+815.37m	(613203.7194m, 847389.0877m)	2.3881 (d)	974.015m	20.301m	0.212m	40.597m	2+795.07m	2+835.67m
28	2+980.84m	(613244.7171m, 847228.7723m)	1.2668 (d)	30.000m	0.332m	0.002m	0.663m	2+980.51m	2+981.17m
29	3+096.68m	(613270.9283m, 847115.9410m)	3.6680 (d)	30.000m	0.961m	0.015m	1.921m	3+095.72m	3+097.64m
30	3+431.23m	(613367.3226m, 846795.5789m)	3.3696 (d)	30.000m	0.882m	0.013m	1.764m	3+430.34m	3+432.11m



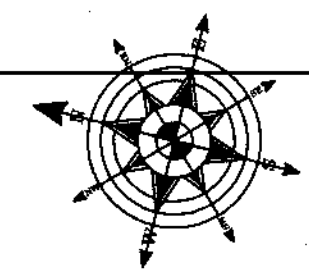
PLAN
SCALE: 1:1000

PROFILE
HOR. 1 : 1000
VERT. 1 : 100



	REPUBLIC OF THE PHILIPPINES DEPARTMENT OF AGRICULTURE "PHILIPPINE RURAL DEVELOPMENT PROJECT SCALE UP" PROVINCE OF DAVAO DE ORO MUNICIPALITY OF MONTEVISTA & NABUNTURAN	PROJECT NO.: PRDP-SU-IB-R011-DDO-004-000-000-2023-FMB SUBPROJECT TITLE: REHABILITATION OF NEW VISAYAS - BANAGBANAG, MONTEVISTA TO MAGADING, NABUNTURAN ROAD WITH EXPANSION OF EXISTING BRIDGE LOCATION: MONTEVISTA AND NABUNTURAN, DAVAO DE ORO	PREPARED BY: EDWIN S. SALUDES PLANNING & DESIGN DIVISION CHIEF	DESIGNED BY: RONNIE S. APPARI ENGINEER II	CHECKED & REVIEWED BY: RODERICK M. DIGAMON PROVINCIAL ENGINEER	RECOMMENDING APPROVAL: ALICIA M. GRACIADAS CO-PPMIU	APPROVED: DOROTHY P. MONTEJO-GONZAGA GOVERNOR	SHEET NO. 49 SHEET NO. 78
	SHEET NO. 49 SHEET NO. 78							

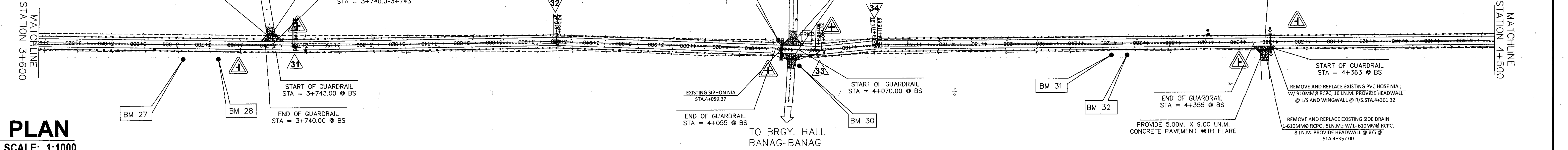
LEGEND	
[H]	HOUSE
[C]	CROSS DRAINS
[M]	MONUMENT
[E]	ELECTRIC POST
[G]	METAL GUARDRAIL
[B]	BENCH MARK
[R]	EXISTING ROAD
[L]	BOUNDARY LINE
[S]	SIPHON



BENCH MARK		
BM NO.	REMARKS	ELEVATION (m)
27	COCONUT TREE (846541.659, 613417.685)	57.64
28	COCONUT TREE (846520.915, 613424.232)	57.08
29	NIA BOLT (846188.680, 613519.584)	58.40
30	COCONUT TREE (846172.011, 613507.359)	57.72
31	COCONUT TREE (845986.696, 613561.152)	58.26
32	COCONUT TREE (845977.381, 613563.514)	58.43

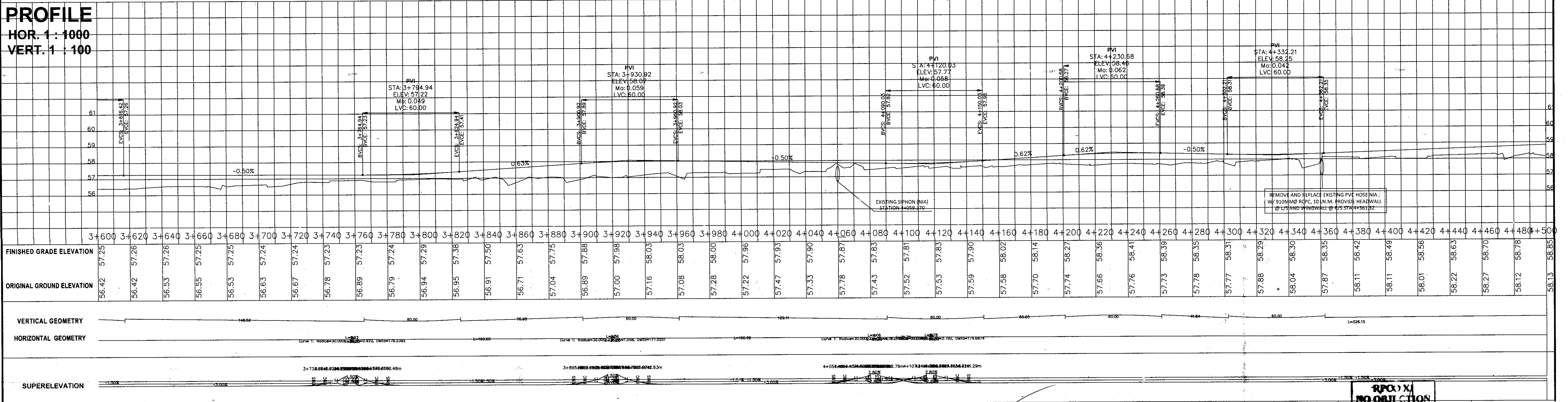
TRAVERSE DATA			
Start Station	End Station	Length	Direction
3+757.88m	3+918.48m	160.598m	344° 51' 46"
3+920.04m	4+080.06m	160.020m	347° 50' 15"
4+084.12m	4+115.91m	31.789m	340° 04' 46"
4+118.69m	4+644.84m	526.153m	345° 23' 31"

ELEMENTS OF CURVE									
PI No.	PI Station	NORTHING, EASTING	EXTERNAL ANGLE	RADIUS	LENGTH OF TANGENT	EXTERNAL DISTANCE	LENGTH OF CURVE	POINT OF CURVE	POINT OF TANGENT
			I	R	T	E	LC	PC	PT
31	3+757.42m	(613442.787m, 846478.2342m)	1.7608 (d)	30.000m	0.461m	0.004m	0.922m	3+756.96m	3+757.88m
32	3+919.26m	(613485.049m, 846322.0112m)	2.9749 (d)	30.000m	0.779m	0.010m	1.558m	3+918.48m	3+920.04m
33	4+082.09m	(613519.353m, 846162.8336m)	7.7582 (d)	30.000m	2.034m	0.069m	4.062m	4+080.06m	4+084.12m
34	4+117.30m	(613531.353m, 846129.257m)	5.3126 (d)	30.000m	1.392m	0.032m	2.782m	4+115.91m	4+118.69m



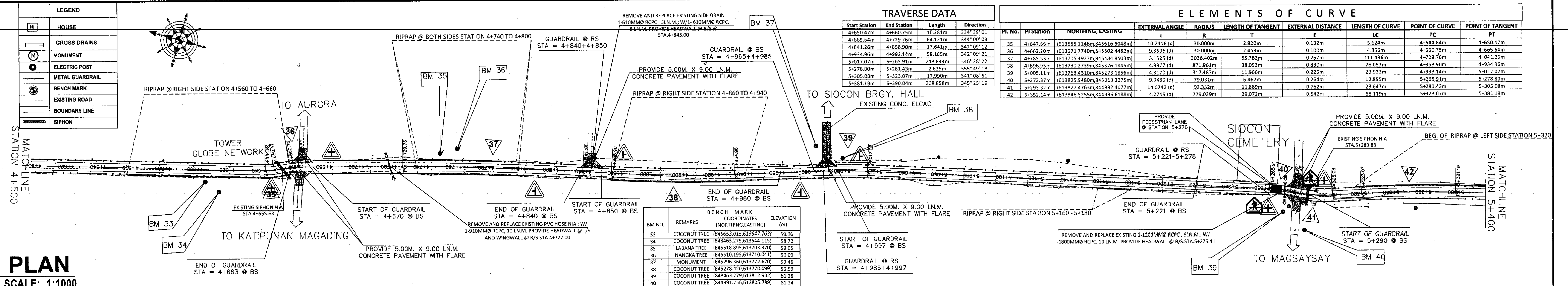
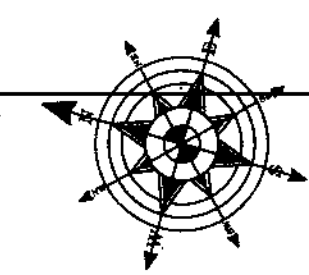
PLAN
SCALE: 1:1000

PROFILE
HOR. 1 : 1000
VERT. 1 : 100



	REPUBLIC OF THE PHILIPPINES DEPARTMENT OF AGRICULTURE "PHILIPPINE RURAL DEVELOPMENT PROJECT SCALE UP" PROVINCE OF DAVAO DE ORO MUNICIPALITY OF MONTEVISTA & NABUNTURAN		PROJECT NO.: PRDP-SU-IB-R011-DDO-004-000-000-2023-FMB	PREPARED BY: EDWIN S. SALUDES PLANNING & DESIGN DIVISION CHIEF	DESIGNED BY: RONNIE S. APARRI ENGINEER II	CHECKED & REVIEWED BY: RODERICK M. DIGAMON PROVINCIAL ENGINEER	RECOMMENDING APPROVAL: ALICIA M. GRACIADAS C&-PPMIU	APPROVED: DOROTHY P. MONTEJO GOVERNOR	SHEET NO. 50 PLAN AND PROFILE	SHEET NO. 78	
	SUBPROJECT TITLE:		REHABILITATION OF NEW VISAYAS - BANAGBANAG, MONTEVISTA TO MAGADING, NABUNTURAN ROAD WITH EXPANSION OF EXISTING BRIDGE								
	LOCATION:		MONTEVISTA AND NABUNTURAN, DAVAO DE ORO								

LEGEND	
[H]	HOUSE
[C]	CROSS DRAINS
[M]	MONUMENT
[E]	ELECTRIC POST
[G]	METAL GUARDRAIL
[B]	BENCH MARK
[R]	EXISTING ROAD
[D]	BOUNDARY LINE
[S]	SIPHON



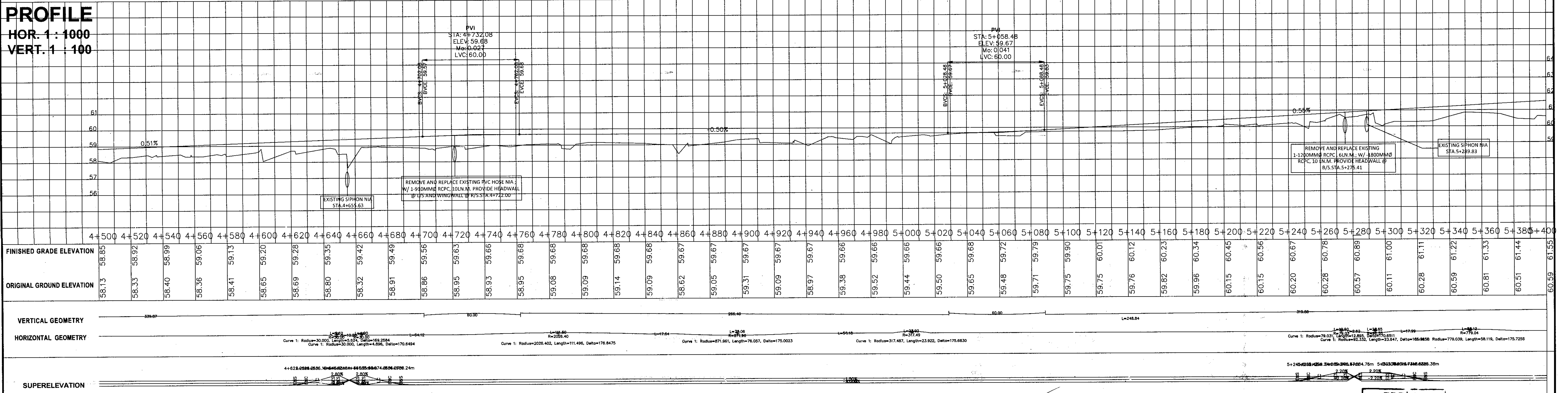
Start Station	End Station	Length	Direction
4+650.47m	4+660.75m	10.281m	334° 39' 01"
4+665.64m	4+729.76m	64.121m	344° 00' 03"
4+841.26m	4+858.90m	17.641m	347° 09' 12"
4+934.96m	4+993.14m	58.185m	342° 09' 21"
5+017.07m	5+265.91m	248.844m	345° 28' 22"
5+278.00m	5+281.43m	2.625m	355° 49' 18"
5+305.08m	5+323.07m	17.990m	341° 08' 51"
5+381.19m	5+590.04m	208.858m	345° 25' 19"

PI NO.	PI Station	NORTHING, EASTING	EXTERNAL ANGLE	RADIUS	LENGTH OF TANGENT	EXTERNAL DISTANCE	LENGTH OF CURVE	POINT OF CURVE	POINT OF TANGENT
35	4+647.66m	(613665.1146m, 845616.5048m)	10.7416 (d)	30.000m	2.820m	0.132m	5.624m	4+644.84m	4+650.47m
36	4+663.20m	(613671.7740m, 845602.4482m)	9.3506 (d)	30.000m	2.453m	0.100m	4.896m	4+660.75m	4+665.64m
37	4+785.53m	(613705.4927m, 845484.8503m)	3.1525 (d)	2026.402m	55.762m	0.767m	111.496m	4+729.76m	4+841.26m
38	4+896.95m	(613730.2739m, 845376.1845m)	4.9977 (d)	871.961m	38.053m	0.830m	76.057m	4+858.90m	4+934.96m
39	5+005.11m	(613763.4310m, 845273.1856m)	4.3170 (d)	317.487m	11.966m	0.225m	23.922m	4+993.14m	5+017.07m
40	5+272.37m	(613825.9480m, 845013.3275m)	9.3489 (d)	79.031m	6.462m	0.264m	12.895m	5+265.91m	5+278.00m
41	5+293.32m	(613827.4763m, 844992.4077m)	14.6742 (d)	92.332m	11.889m	0.762m	23.647m	5+281.43m	5+305.08m
42	5+352.14m	(613846.5255m, 844936.6188m)	4.2745 (d)	779.039m	29.073m	0.542m	58.119m	5+323.07m	5+381.19m

BM NO.	REMARKS	COORDINATES (NORTHING, EASTING)	ELEVATION (m)
33	COCONUT TREE	(845653.015, 613647.703)	59.16
34	COCONUT TREE	(848463.279, 613644.115)	58.73
35	LABANA TREE	(845518.835, 613703.370)	59.05
36	NANGKA TREE	(845510.195, 613710.041)	59.09
37	MONUMENT	(845296.360, 613772.620)	59.46
38	COCONUT TREE	(845278.420, 613770.099)	59.59
39	COCONUT TREE	(848463.279, 613812.932)	61.28
40	COCONUT TREE	(844991.756, 613805.789)	61.24

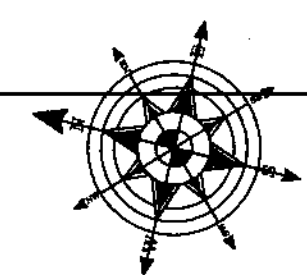
PLAN
SCALE: 1:1000

PROFILE
HOR. 1 : 1000
VERT. 1 : 100



	REPUBLIC OF THE PHILIPPINES DEPARTMENT OF AGRICULTURE "PHILIPPINE RURAL DEVELOPMENT PROJECT SCALE UP" PROVINCE OF DAVAO DE ORO MUNICIPALITY OF MONTEVISTA & NABUNTURAN	PROJECT NO.: PRDP-SU-IB-R011-DDO-004-000-000-2023-FMB SUBPROJECT TITLE: REHABILITATION OF NEW VISAYAS - BANAGBANAG, MONTEVISTA TO MAGADING, NABUNTURAN ROAD WITH EXPANSION OF EXISTING BRIDGE LOCATION: MONTEVISTA AND NABUNTURAN, DAVAO DE ORO	PREPARED BY: EDWIN S. SALUDES PLANNING & DESIGN DIVISION CHIEF	DESIGNED BY: RONNIE S. APARRI ENGINEER II	CHECKED & REVIEWED BY: RODERICK M. DIGAMON PROVINCIAL ENGINEER	RECOMMENDING APPROVAL: ALICIA M. GRACIADAS CO-PPMIU	APPROVED: DOROTHY P. MONTEJO, CONZAGA GOVERNOR	SHEET NO. 51 SIGNATURE: [Signature] ENCL. MAP, AERIAL PHOTO, PLAN AND PROFILE	SHEET NO. 78
	SHEET NO. 51								
	SHEET NO. 78								

LEGEND	
[H]	HOUSE
[CROSS DRAINS]	CROSS DRAINS
[M]	MONUMENT
[ELECTRIC POST]	ELECTRIC POST
[METAL GUARDRAIL]	METAL GUARDRAIL
[BENCH MARK]	BENCH MARK
[EXISTING ROAD]	EXISTING ROAD
[BOUNDARY LINE]	BOUNDARY LINE
[SIPHON]	SIPHON



B.M. NO.	REMARKS	COORDINATES (NORTHING, EASTING)	ELEVATION (m)
41	MADRE CACAO TREE	(844772.410, 613863.199)	61.70
42	ELEC. POST	(848463.279, 613879.173)	61.34
43	DIPO BANTINGS	(848463.279, 613013.378)	55.49
44	MADRE CACAO TREE	(844530.573, 613955.751)	61.52
45	DRYER	(844198.438, 614047.931)	62.71
46	MANGO TREE	(844165.890, 614047.044)	63.17

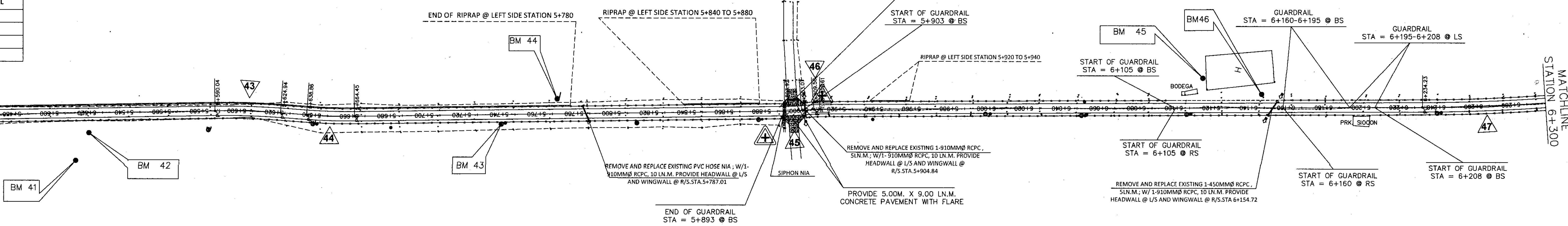
TRAVERSE DATA			
Start Station	End Station	Length	Direction
5+424.94m	5+438.86m	13.917m	350° 34' 36"
5+464.45m	5+493.92m	29.466m	345° 38' 23"
5+903.07m	5+909.58m	6.511m	341° 45' 33"
5+912.61m	6+234.23m	321.622m	346° 08' 45"
6+302.30m	6+346.76m	44.457m	342° 13' 18"

ELEMENTS OF CURVE									
PI No.	PI Station	NORTHING, EASTING	EXTERNAL ANGLE I	RADIUS R	LENGTH OF TANGENT T	EXTERNAL DISTANCE E	LENGTH OF CURVE LC	POINT OF CURVE PC	POINT OF TANGENT PT
43	5+607.50m	(613910.8070m, 844689.4499m)	5.1603 (d)	387.455m	17.460m	0.393m	34.896m	5+590.04m	5+624.94m
44	5+651.66m	(613918.0366m, 844645.8630m)	4.9425 (d)	296.726m	12.806m	0.276m	23.596m	5+638.86m	5+664.45m
45	5+898.50m	(613979.2599m, 844406.7249m)	3.8805 (d)	135.143m	4.578m	0.078m	9.153m	5+893.92m	5+903.07m
46	5+911.10m	(613983.2049m, 844394.7550m)	4.3865 (d)	39.543m	1.514m	0.029m	3.027m	5+909.58m	5+912.61m
47	6+268.28m	(614068.7331m, 844047.9632m)	3.9240 (d)	993.850m	34.046m	0.583m	68.066m	6+234.23m	6+302.30m

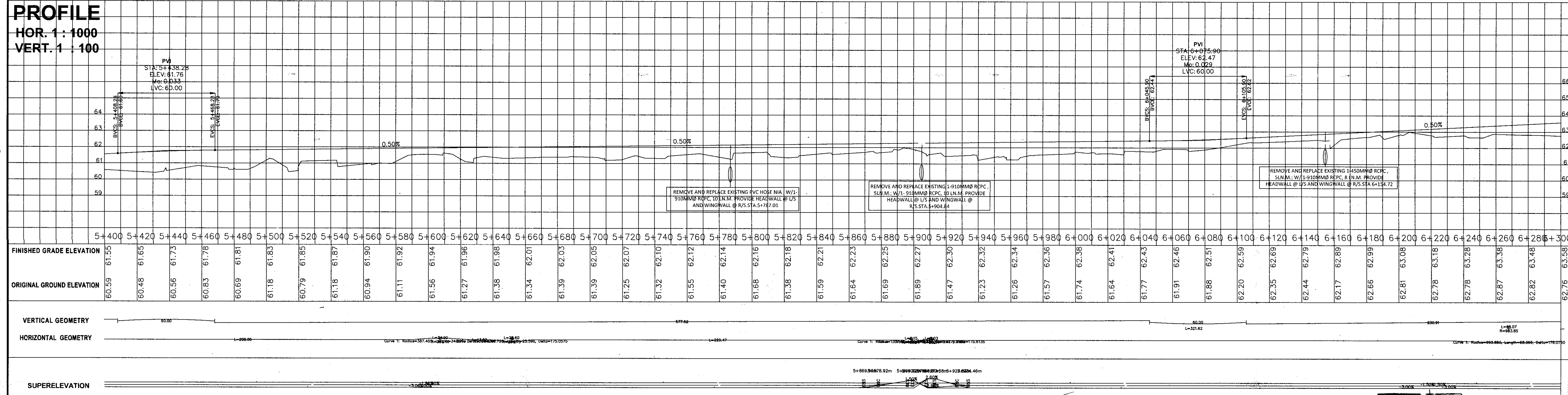
MATCHLINE STATION 5+400

MATCHLINE STATION 6+300

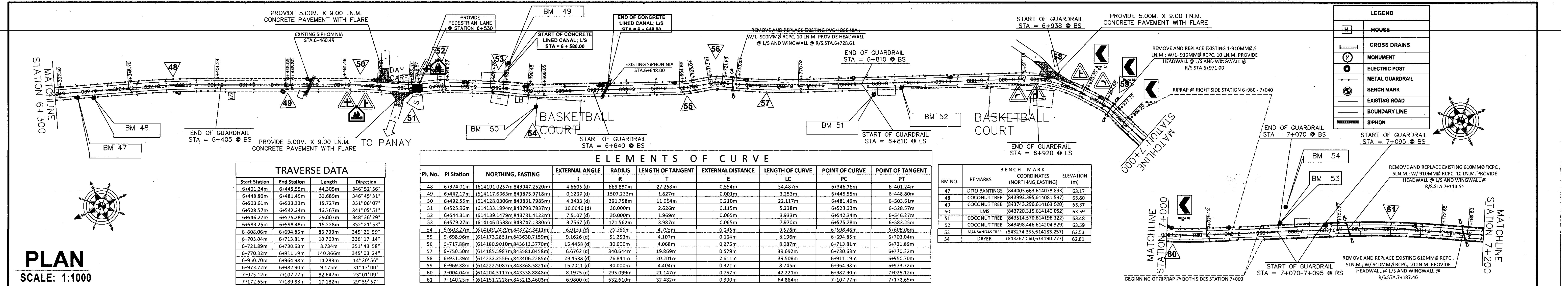
PLAN
SCALE: 1:1000



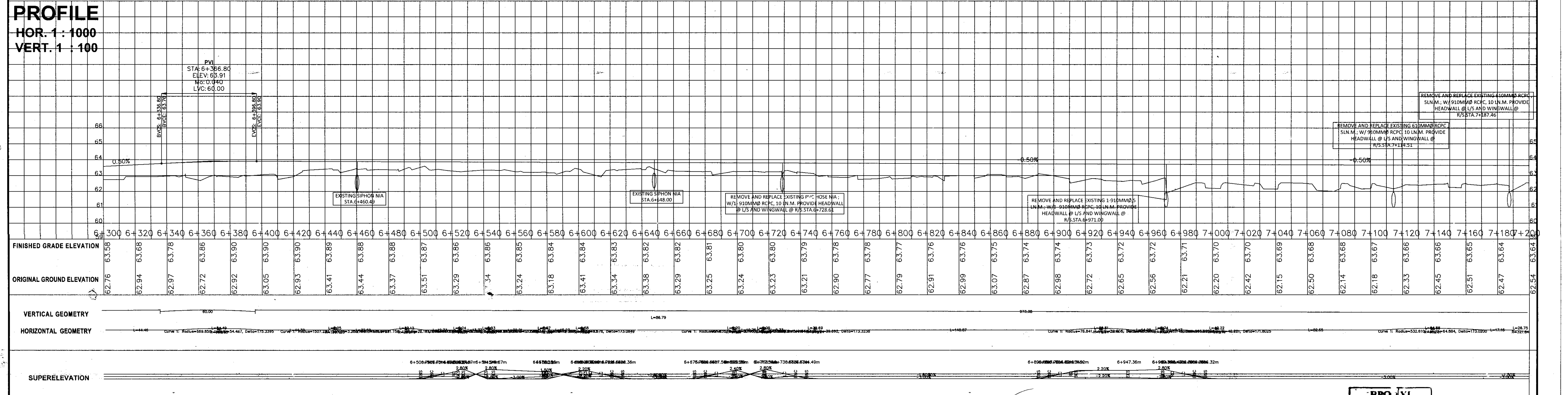
PROFILE
HOR. 1 : 1000
VERT. 1 : 100



	REPUBLIC OF THE PHILIPPINES DEPARTMENT OF AGRICULTURE "PHILIPPINE RURAL DEVELOPMENT PROJECT SCALE UP" PROVINCE OF DAVAO DE ORO MUNICIPALITY OF MONTEVISTA & NABUNTURAN	PROJECT NO.: PRDP-SU-IB-R011-DDO-004-000-000-2023-FMB SUBPROJECT TITLE: REHABILITATION OF NEW VISAYAS - BANAGBANAG, MONTEVISTA TO MAGADING, NABUNTURAN ROAD WITH EXPANSION OF EXISTING BRIDGE LOCATION: MONTEVISTA AND NABUNTURAN, DAVAO DE ORO	PREPARED BY: EDWIN S. SALUDES PLANNING & DESIGN DIVISION CHIEF	DESIGNED BY: RONNIE S. APARRI ENGINEER II	CHECKED & REVIEWED BY: RODERICK M. DIGAMON PROVINCIAL ENGINEER	RECOMMENDING APPROVAL: ALICIA M. GRACIADAS CO-PPMIU	APPROVED: DOROTHY P. MONTEVISTA-GONZAGA GOVERNOR	SHEET NO. 52 PLAN AND PROFILE	SHEET NO. 78	
	SIGNATURE: _____ DATE: _____								SHEET NO. 52	SHEET NO. 78
	APPROVED: _____ DATE: _____								SHEET NO. 52	SHEET NO. 78



PLAN
SCALE: 1:1000



REPUBLIC OF THE PHILIPPINES DEPARTMENT OF AGRICULTURE "PHILIPPINE RURAL DEVELOPMENT PROJECT SCALE UP"		PROJECT NO.:	PRDP-SU-IB-R011-DDO-004-000-000-2023-FMB	PREPARED BY:	DESIGNED BY:	CHECKED & REVIEWED BY:	RECOMMENDING APPROVAL:	APPROVED:	SHEET NO.
PROVINCE OF DAVAO DE ORO MUNICIPALITY OF MONTEVISTA & NABUNTURAN		SUBPROJECT TITLE:	REHABILITATION OF NEW VISAYAS - BANAGBANAG, MONTEVISTA TO MAGADING, NABUNTURAN ROAD WITH EXPANSION OF EXISTING BRIDGE	EDWIN S. SALUDES PLANNING & DESIGN DIVISION CHIEF	RONNIE S. APARRI ENGINEER II	RODERICK M. DIGAMON PROVINCIAL ENGINEER	ALICIA M. GRACIADAS CO-PPMIU	DOROTHY P. MONTEJO-GONZAGA GOVERNOR	53
LOCATION:		MONTEVISTA AND NABUNTURAN, DAVAO DE ORO							

LEGEND

[H]	HOUSE
[C]	CROSS DRAINS
[M]	MONUMENT
[E]	ELECTRIC POST
[G]	METAL GUARDRAIL
[B]	BENCH MARK
[R]	EXISTING ROAD
[L]	BOUNDARY LINE
[S]	SIPHON

ELEMENTS OF CURVE

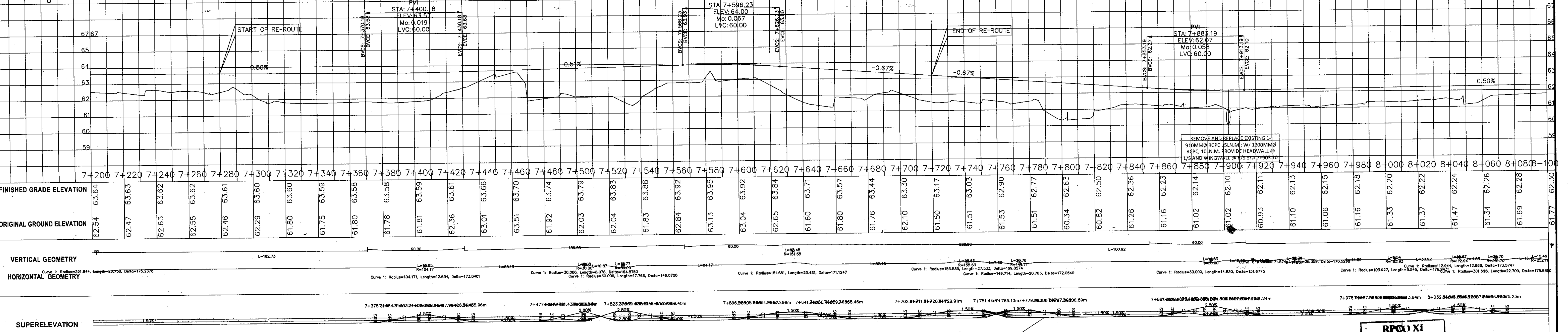
PI. No.	PI Station	NORTHING, EASTING	EXTERNAL ANGLE	RADIUS	LENGTH OF TANGENT	EXTERNAL DISTANCE	LENGTH OF CURVE	POINT OF CURVE	POINT OF TANGENT
62	7+203.21m	(614119.7002m, 843158.8593m)	4.7622 (d)	321.844m	13.383m	0.278m	26.750m	7+189.83m	7+216.58m
63	7+405.64m	(614033.3853m, 842975.7368m)	6.9599 (d)	104.171m	6.335m	0.192m	12.654m	7+399.31m	7+411.96m
64	7+504.16m	(613980.8848m, 842892.3570m)	15.4240 (d)	30.000m	4.063m	0.274m	8.076m	7+500.10m	7+508.17m
65	7+528.19m	(613963.0958m, 842876.1253m)	33.9300 (d)	30.000m	9.152m	1.365m	17.766m	7+519.04m	7+536.81m
66	7+632.74m	(613898.2233m, 842774.0230m)	8.8753 (d)	151.581m	11.764m	0.456m	23.481m	7+620.98m	7+644.46m
67	7+740.71m	(613896.7725m, 842674.2777m)	10.1426 (d)	155.535m	13.803m	0.611m	27.533m	7+726.91m	7+754.44m
68	7+772.53m	(613879.5414m, 842647.4465m)	7.9460 (d)	149.714m	10.398m	0.361m	20.763m	7+762.13m	7+782.89m
69	7+891.38m	(613829.7444m, 842539.4915m)	28.3225 (d)	30.000m	7.570m	0.940m	14.830m	7+883.81m	7+898.64m
70	7+943.14m	(613855.9948m, 842505.1402m)	9.4702 (d)	171.574m	14.212m	0.588m	28.359m	7+928.93m	7+957.29m
71	8+004.87m	(613910.4690m, 842475.9818m)	3.0569 (d)	103.927m	2.773m	0.037m	5.585m	8+002.09m	8+007.64m
72	8+044.90m	(613946.7241m, 842458.9972m)	6.4253 (d)	112.944m	6.340m	0.178m	12.666m	8+038.56m	8+051.23m
73	8+067.43m	(613965.9407m, 842447.2087m)	4.3110 (d)	301.698m	11.355m	0.214m	22.700m	8+056.08m	8+078.78m

TRAVERSE DATA

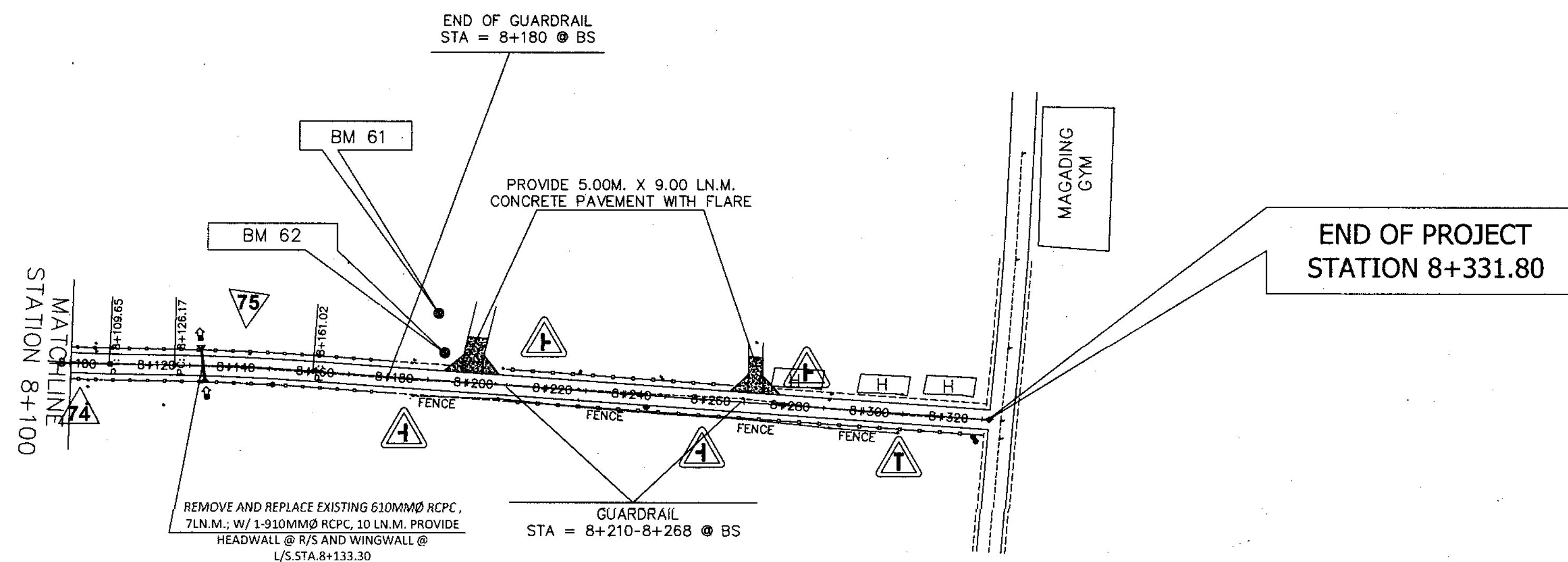
Start Station	End Station	Length	Direction
7+216.58m	7+399.31m	182.728m	25° 14' 13"
7+411.96m	7+500.10m	88.134m	32° 11' 48"
7+508.17m	7+519.04m	10.867m	47° 37' 15"
7+536.81m	7+620.98m	84.172m	13° 41' 27"
7+644.46m	7+726.91m	82.449m	22° 33' 58"
7+754.44m	7+762.13m	7.687m	32° 42' 31"
7+782.89m	7+883.81m	100.919m	24° 45' 46"
7+898.64m	7+917.14m	18.500m	356° 26' 25"
7+917.14m	7+928.93m	11.791m	288° 41' 19"
7+957.29m	8+002.09m	44.802m	298° 09' 32"
8+007.64m	8+038.56m	30.924m	295° 06' 07"
8+051.23m	8+056.08m	4.850m	301° 31' 38"
8+078.78m	8+094.19m	15.411m	297° 12' 58"

PLAN
SCALE: 1:1000

PROFILE
HOR. 1:1000
VERT. 1:100



<p>REPUBLIC OF THE PHILIPPINES DEPARTMENT OF AGRICULTURE "PHILIPPINE RURAL DEVELOPMENT PROJECT SCALE UP" PROVINCE OF DAVAO DE ORO MUNICIPALITY OF MONTEVISTA & NABUNTURAN</p>	PROJECT NO.:	PRDP-SU-IB-R011-DDO-004-000-000-2023-FMB	PREPARED BY:	DESIGNED BY:	CHECKED & REVIEWED BY:	RECOMMENDING APPROVAL:	APPROVED:	SHEET NO.:	54
	SUBPROJECT TITLE:	REHABILITATION OF NEW VISAYAS - BANAGBANAG, MONTEVISTA TO MAGADING, NABUNTURAN ROAD WITH EXPANSION OF EXISTING BRIDGE		EDWIN S. SALUDES PLANNING & DESIGN DIVISION CHIEF	RONNIE S. APARRI ENGINEER II	RODERICK M. DIGAMON PROVINCIAL ENGINEER	ALICIA M. GRACIADAS CD-PPMIU	DOROTHY P. MONTEJO GONZAGA GOVERNOR	78
	LOCATION:	MONTEVISTA AND NABUNTURAN, DAVAO DE ORO		<p>PLAN AND PROFILE</p>					



ELEMENTS OF CURVE											
PI No.	PI Station	NORTHING, EASTING	EXTERNAL ANGLE		RADIUS		LENGTH OF TANGENT	EXTERNAL DISTANCE	LENGTH OF CURVE	POINT OF CURVE	POINT OF TANGENT
			I	R	T	E	LC	PC	PT		
74	8+101.92m	(613996.6207m, 842431.4303m)	3.5137 (d)	252.112m	7.733m	0.119m	15.461m	8+094.19m	8+109.65m		
75	8+143.60m	(614034.7868m, 842414.6745m)	3.0866 (d)	646.835m	17.427m	0.235m	34.846m	8+126.17m	8+161.02m		

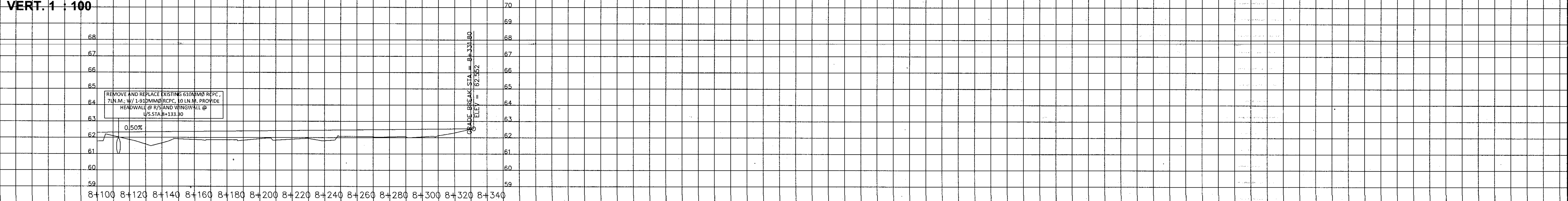
TRAVERSE DATA			
Start Station	End Station	Length	Direction
8+109.65m	8+126.17m	16.522m	293° 42' 09"
8+161.02m	8+331.80m	170.786m	296° 47' 21"

BM NO.	REMARKS	BENCH MARK COORDINATES		ELEVATION (m)
		(NORTHING, EASTING)		
61	DURIAN TREE	(842407.208, 614085.752)		61.78
62	COCONUT TREE	(842397.538, 614082.794)		62.48

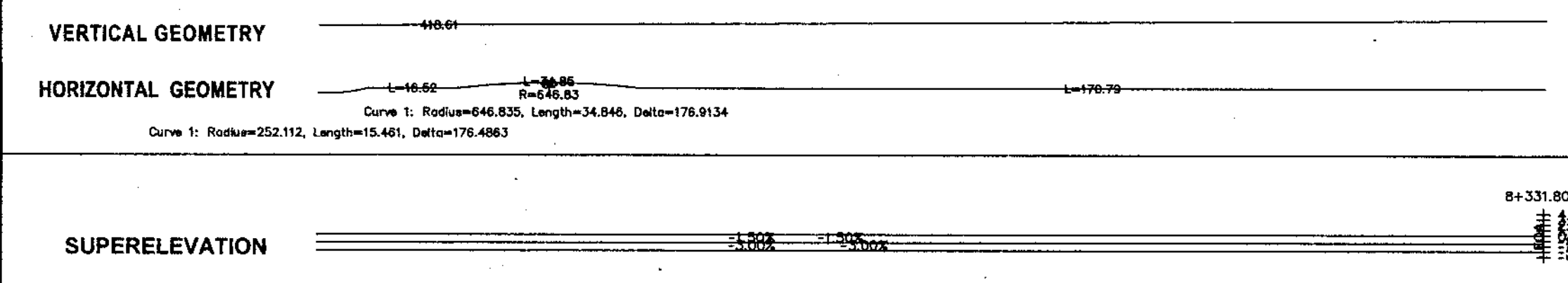
LEGEND	
[H]	HOUSE
[C]	CROSS DRAINS
[M]	MONUMENT
[E]	ELECTRIC POST
[G]	METAL GUARDRAIL
[B]	BENCH MARK
[S]	EXISTING ROAD
[L]	BOUNDARY LINE
[D]	SIPHON

PLAN
SCALE: 1:1000

PROFILE
HOR. 1:1000
VERT. 1:100

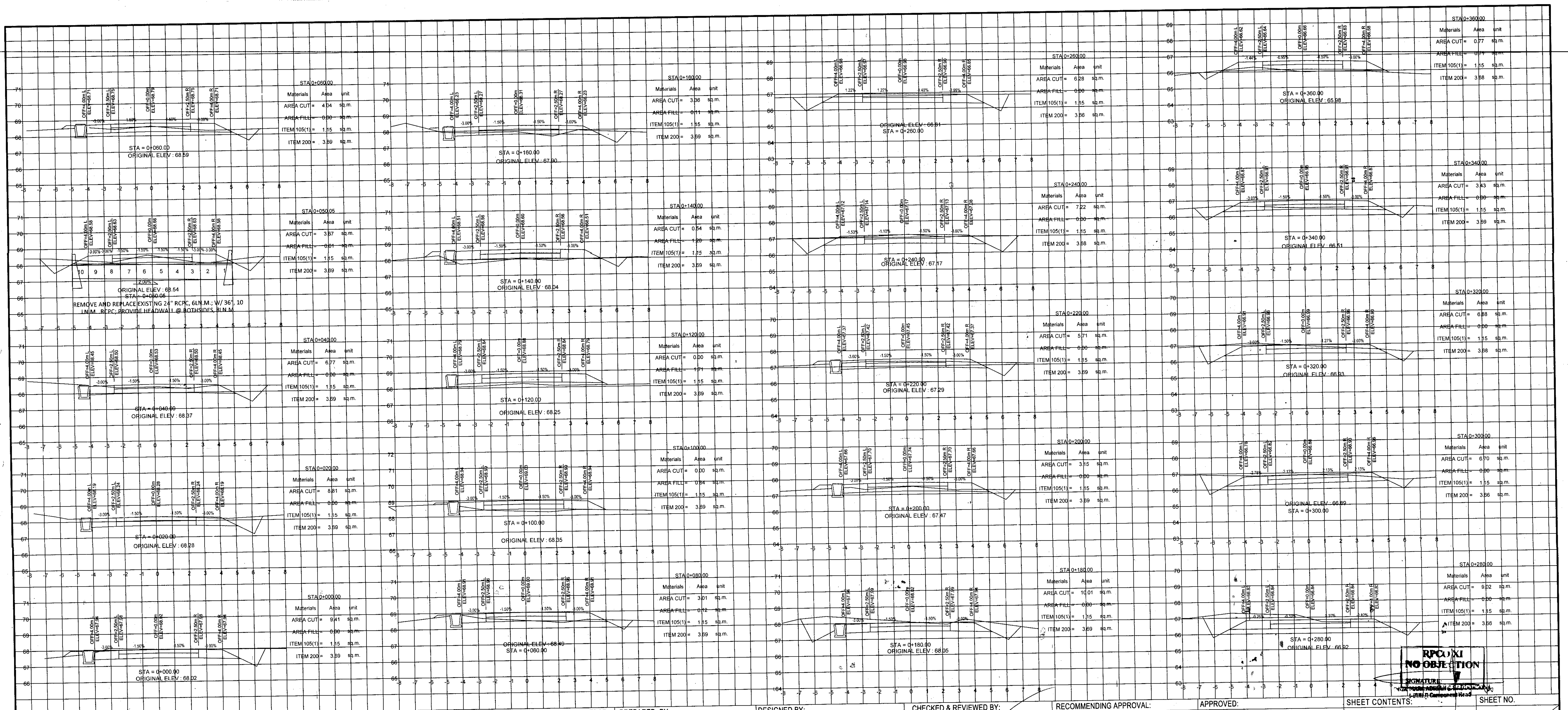


STATION	FINISHED GRADE ELEVATION	ORIGINAL GROUND ELEVATION
8+100	62.30	61.77
8+120	62.33	61.87
8+140	62.35	61.66
8+160	62.37	61.87
8+180	62.39	61.86
8+200	62.41	61.93
8+220	62.43	61.90
8+240	62.45	61.81
8+260	62.47	62.07
8+280	62.50	62.05
8+300	62.52	62.05
8+320	62.54	62.29
8+340		



NO OBJECTION
SIGNATURE: [Signature]
DATE: [Date]

	REPUBLIC OF THE PHILIPPINES DEPARTMENT OF AGRICULTURE "PHILIPPINE RURAL DEVELOPMENT PROJECT SCALE UP" PROVINCE OF DAVAO DE ORO MUNICIPALITY OF MONTEVISTA & NABUNTURAN	PROJECT NO.:	PRDP-SU-IB-R011-DDO-004-000-000-2023-FMB	PREPARED BY:	EDWIN S. SALUDES PLANNING & DESIGN DIVISION CHIEF	DESIGNED BY:	RONNIE S. APARRI ENGINEER II	CHECKED & REVIEWED BY:	RODERICK M. DIGAMON PROVINCIAL ENGINEER	RECOMMENDING APPROVAL:	ALICIA M. GRACIADAS CO-PPMIU	APPROVED:	DOROTHY P. MONTE-GONZAGA GOVERNOR	SHEET CONTENTS:	PLAN AND PROFILE	SHEET NO.	55 / 78
	SUBPROJECT TITLE:	REHABILITATION OF NEW VISAYAS - BANAGBANAG, MONTEVISTA TO MAGADING, NABUNTURAN ROAD WITH EXPANSION OF EXISTING BRIDGE															
	LOCATION:	MONTEVISTA AND NABUNTURAN, DAVAO DE ORO															



RPC XI
NO OBJECTION

SIGNATURE
 1-PPM-Corresponding Head



REPUBLIC OF THE PHILIPPINES
 DEPARTMENT OF AGRICULTURE
 "PHILIPPINE RURAL DEVELOPMENT PROJECT
 SCALE UP"
 PROVINCE OF DAVAO DE ORO
 MUNICIPALITY OF MONTEVISTA & NABUNTURAN

PROJECT NO.: PRDP-SU-IB-R011-DDO-004-000-000-2023-FMB
 SUBPROJECT TITLE: REHABILITATION OF NEW VISAYAS - BANAGBANAG, MONTEVISTA TO MAGADING, NABUNTURAN ROAD WITH EXPANSION OF EXISTING BRIDGE
 LOCATION: MONTEVISTA AND NABUNTURAN, DAVAO DE ORO

PREPARED BY: EDWIN S. SALUDES
 PLANNING & DESIGN DIVISION CHIEF

DESIGNED BY: RONNIE S. APARRI
 ENGINEER II

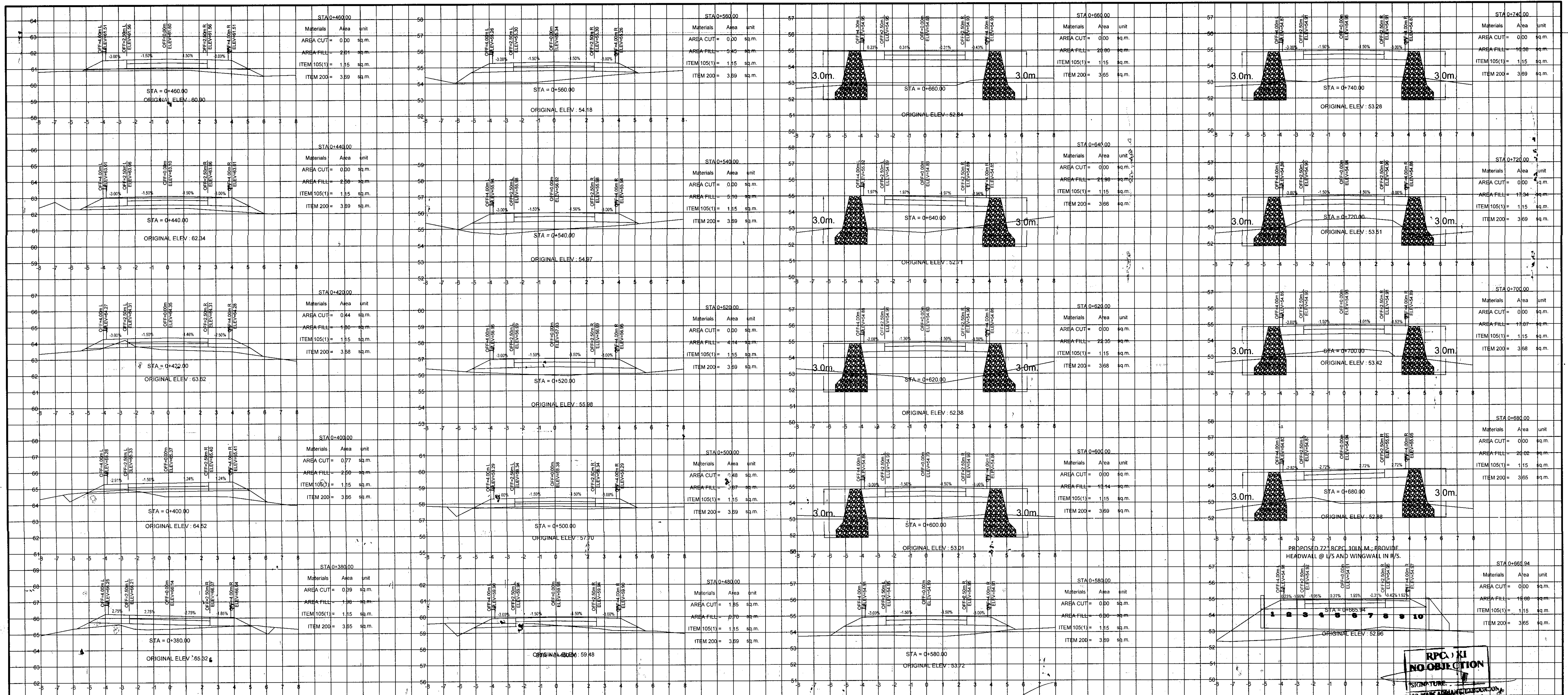
CHECKED & REVIEWED BY: RODERICK M. DIGAMON
 PROVINCIAL ENGINEER

RECOMMENDING APPROVAL: ALICIA M. GRACIADAS
 CO-PPMIU

APPROVED: DOROTHY P. MONTEVISTA-GONZAGA
 GOVERNOR

SHEET CONTENTS: CROSS SECTIONS

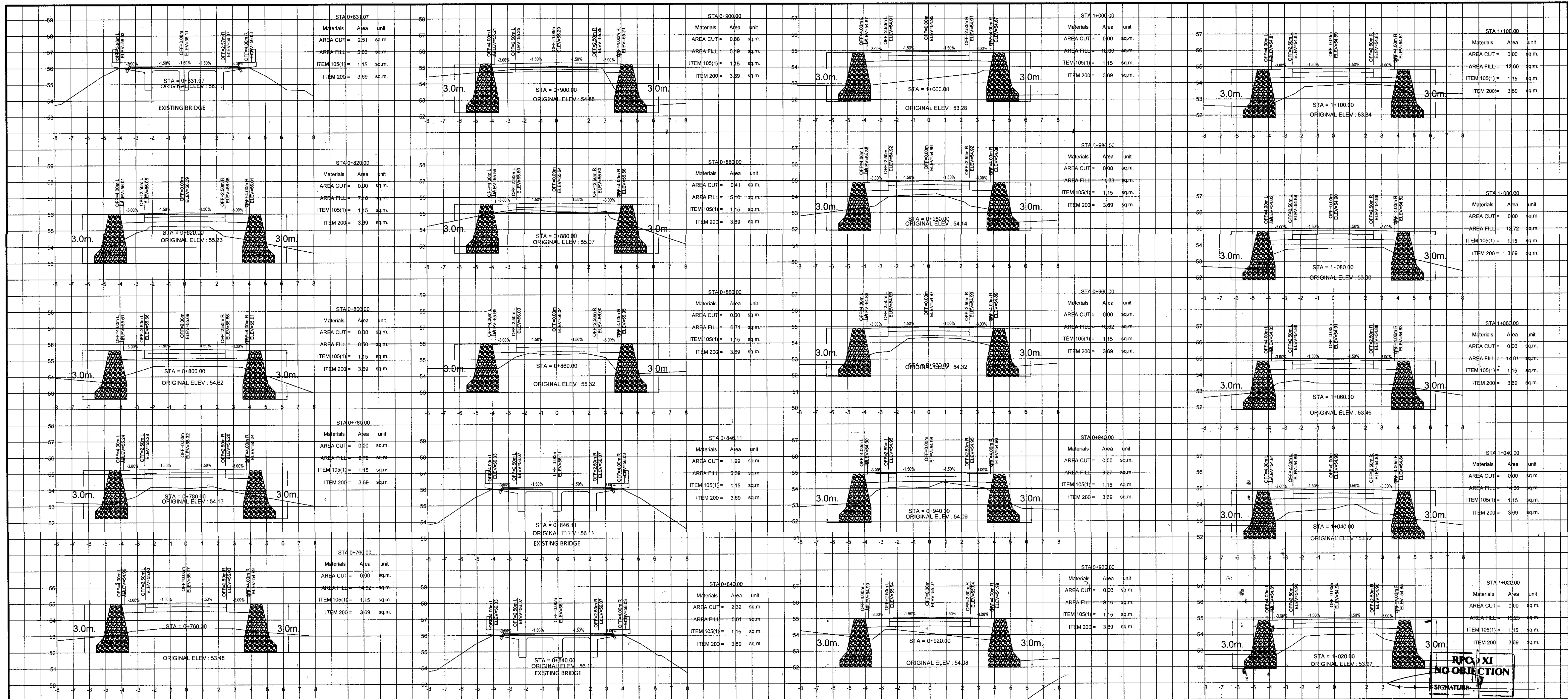
SHEET NO. 56 / 78




PROPOSED 7.2' RPC 101 M.M. PROVIDE HEADWALL @ L/S AND WINGWALL R/S.

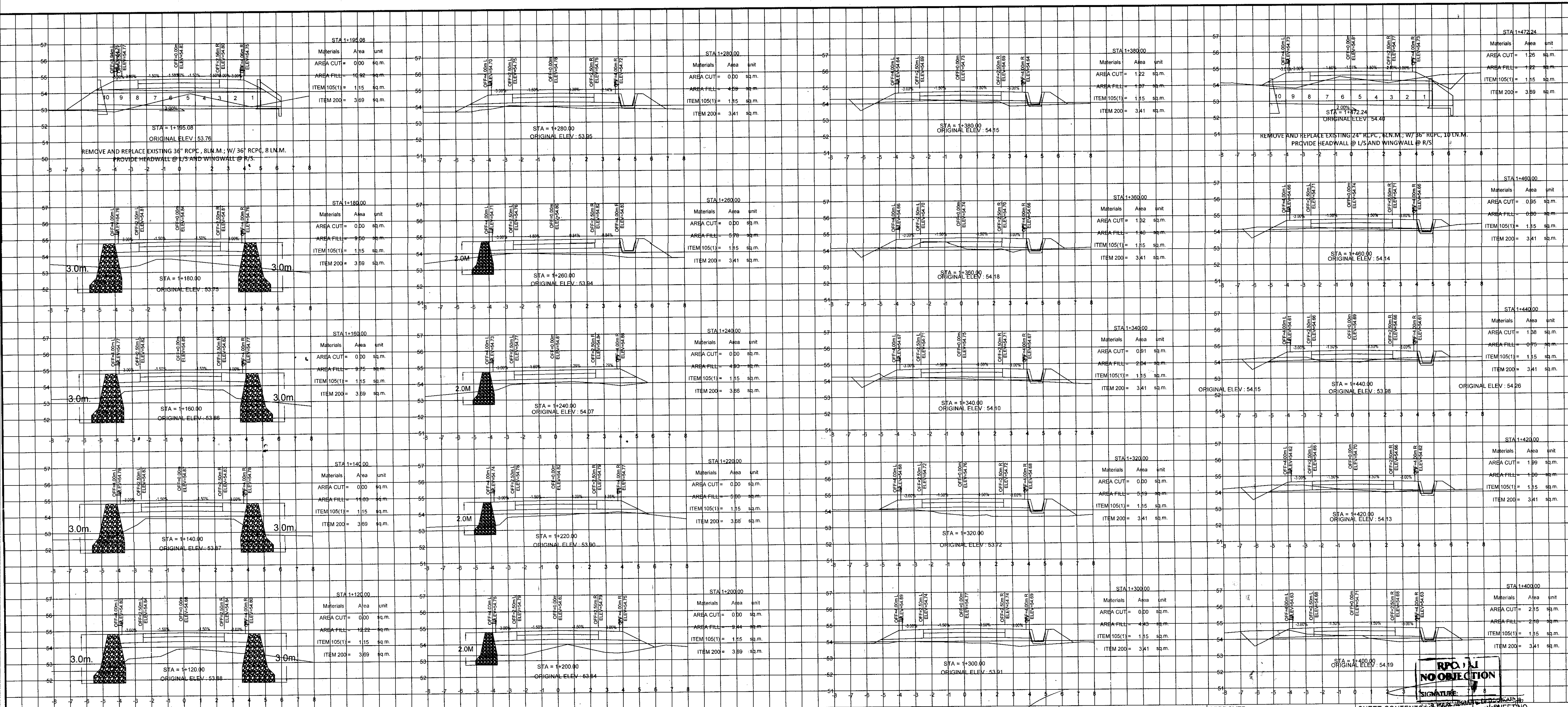
RPC 101 NO OBSTRUCTION


<p>REPUBLIC OF THE PHILIPPINES DEPARTMENT OF AGRICULTURE "PHILIPPINE RURAL DEVELOPMENT PROJECT SCALE UP" PROVINCE OF DAVAO DE ORO MUNICIPALITY OF MONTEVISTA & NABUNTURAN</p>	PROJECT NO.: PRDP-SU-IB-R011-DDO-004-000-000-2023-FMB	PREPARED BY: EDWIN S. SALUDES PLANNING & DESIGN DIVISION CHIEF	DESIGNED BY: RONNIE S. APARRI ENGINEER II	CHECKED & REVIEWED BY: RODERICK M. DIGAMON PROVINCIAL ENGINEER	RECOMMENDING APPROVAL: ALICIA M. GRACIADAS CO-PPMIU	APPROVED: DOROTHY P. MONTEUDO-GONZAGA GOVERNOR	SHEET CONTENTS: CROSS SECTIONS	SHEET NO.: 57
	SUBPROJECT TITLE: REHABILITATION OF NEW VISAYAS - BANAGBANAG, MONTEVISTA TO MAGADING, NABUNTURAN ROAD WITH EXPANSION OF EXISTING BRIDGE	LOCATION: MONTEVISTA AND NABUNTURAN, DAVAO DE ORO						78




NO OBJECTION
SIGNATURE

 <p>REPUBLIC OF THE PHILIPPINES DEPARTMENT OF AGRICULTURE "PHILIPPINE RURAL DEVELOPMENT PROJECT SCALE UP" PROVINCE OF DAVAO DE ORO MUNICIPALITY OF MONTEVISTA & NABUNTURAN</p>	PROJECT NO.: PRDP-SU-IB-R011-DDO-004-000-000-2023-FMB	PREPARED BY: EDWIN S. SALUDES PLANNING & DESIGN DIVISION CHIEF	DESIGNED BY: RONNIE S. APARRI ENGINEER II	CHECKED & REVIEWED BY: RODERICK M. DIGAMON PROVINCIAL ENGINEER	RECOMMENDING APPROVAL: ALICIA M. GRACIADAS CO-PPMIU	APPROVED: DOROTHY P. MONTEGONZAGA GOVERNOR	SHEET CONTENTS: CROSS SECTIONS
	SUBPROJECT TITLE: REHABILITATION OF NEW VISAYAS - BANAGBANAG, MONTEVISTA TO MAGADING, NABUNTURAN ROAD WITH EXPANSION OF EXISTING BRIDGE	LOCATION: MONTEVISTA AND NABUNTURAN, DAVAO DE ORO					





RPC 1/1
NO OBJECTION
 SIGNATURE: _____
 DATE: _____

 REPUBLIC OF THE PHILIPPINES DEPARTMENT OF AGRICULTURE "PHILIPPINE RURAL DEVELOPMENT PROJECT SCALE UP" PROVINCE OF DAVAO DE ORO MUNICIPALITY OF MONTEVISTA & NABUNTURAN	PROJECT NO.: PRDP-SU-IB-R011-DDO-004-000-000-2023-FMB	PREPARED BY: EDWIN S. SALUDES PLANNING & DESIGN DIVISION CHIEF	DESIGNED BY: RONNIE S. APARRI ENGINEER II	CHECKED & REVIEWED BY: RODERICK M. DIGAMON PROVINCIAL ENGINEER	RECOMMENDING APPROVAL: ALICIA M. GRACIADAS co-PPMIU	APPROVED: DOROTHY R. MONTEJO-GONZAGA GOVERNOR	SHEET CONTENTS: CROSS SECTIONS	SHEET NO. 59
	SUBPROJECT TITLE: REHABILITATION OF NEW VISAYAS - BANAGBANAG, MONTEVISTA TO MAGADING, NABUNTURAN ROAD WITH EXPANSION OF EXISTING BRIDGE	LOCATION: MONTEVISTA AND NABUNTURAN, DAVAO DE ORO						78